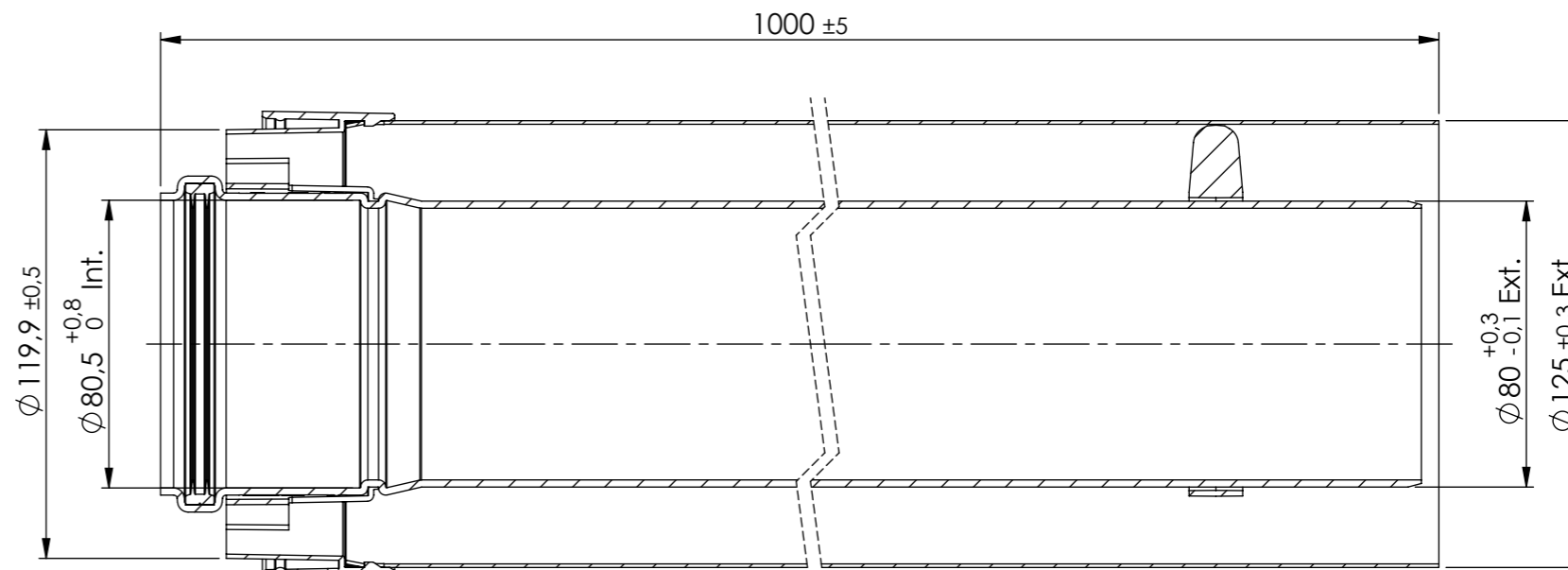
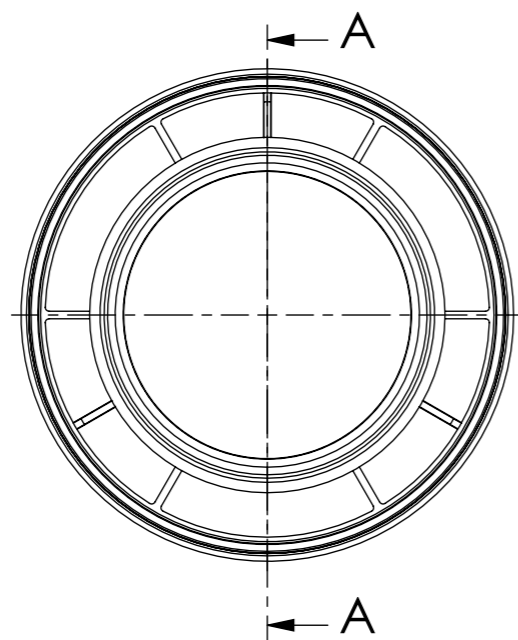
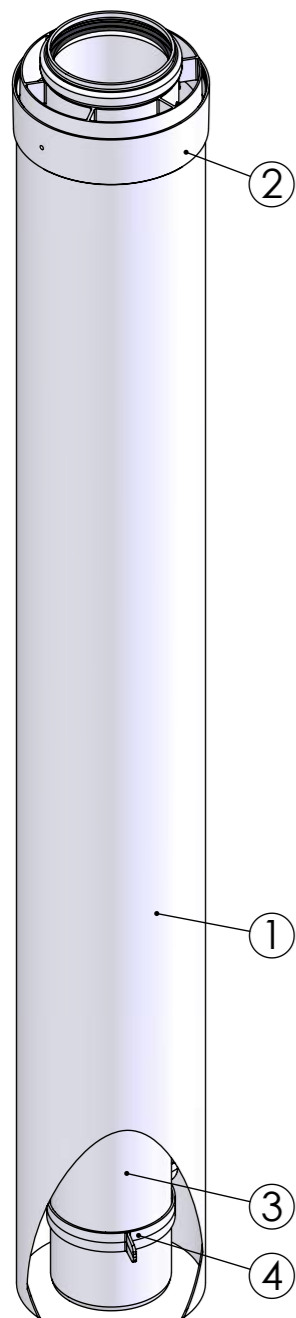


This drawing is property of Cox Geelen and may not be copied in whole or in part without the prior written consent of the owner



SECTION A-A

Pos.	QTY.	Description	Material	Drawing	Part nr
4	1	Distance ring ø80-125	PP	A0013	891598
3	1	Flue Pipe ø80 Extrusion	-	L0697	BLABAK600
2	1	Coupling unit ø80-125	PC/ABS	A0067	-
1	1	Air-inlet pipe ø125	EN-AW-1050A	08127	703295

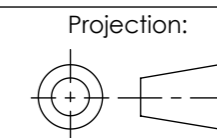
Scale: 1:2      Unit of measure: mm      Material: -

Title: Pipe ø80-125 L1000 PP-Al ConneXt

CAD Model: Pipe 80-125 PP-Al coupling  
Configuration: 80-125 L=1000



Tolerances:  
 $\varnothing = \pm 0,5$   
 $L = \pm 3$   
 $< = \pm 3^\circ$



Comments:  
Thickness of coating: average  $\geq 70\mu\text{m}$

Dwg. no. : **B0036 P00** | A3