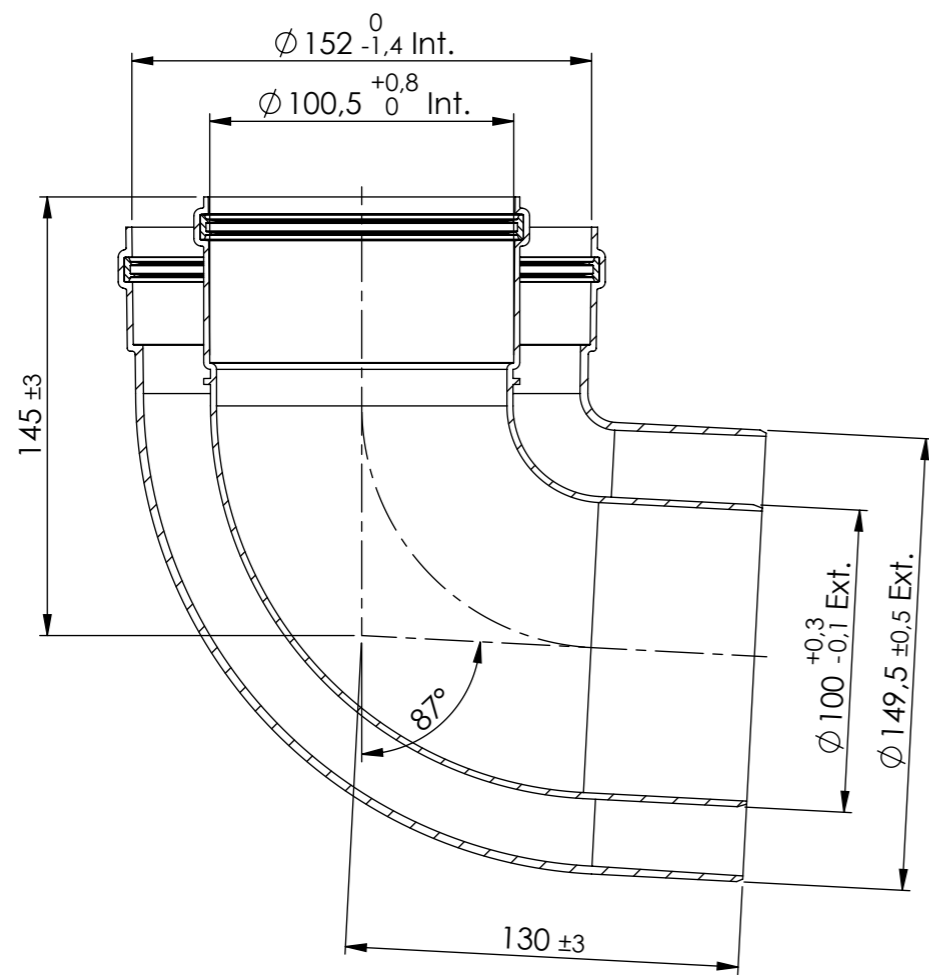
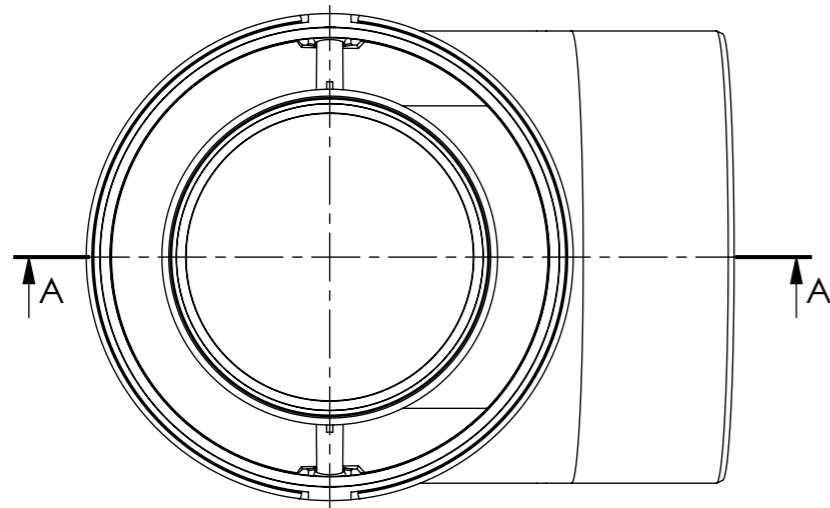
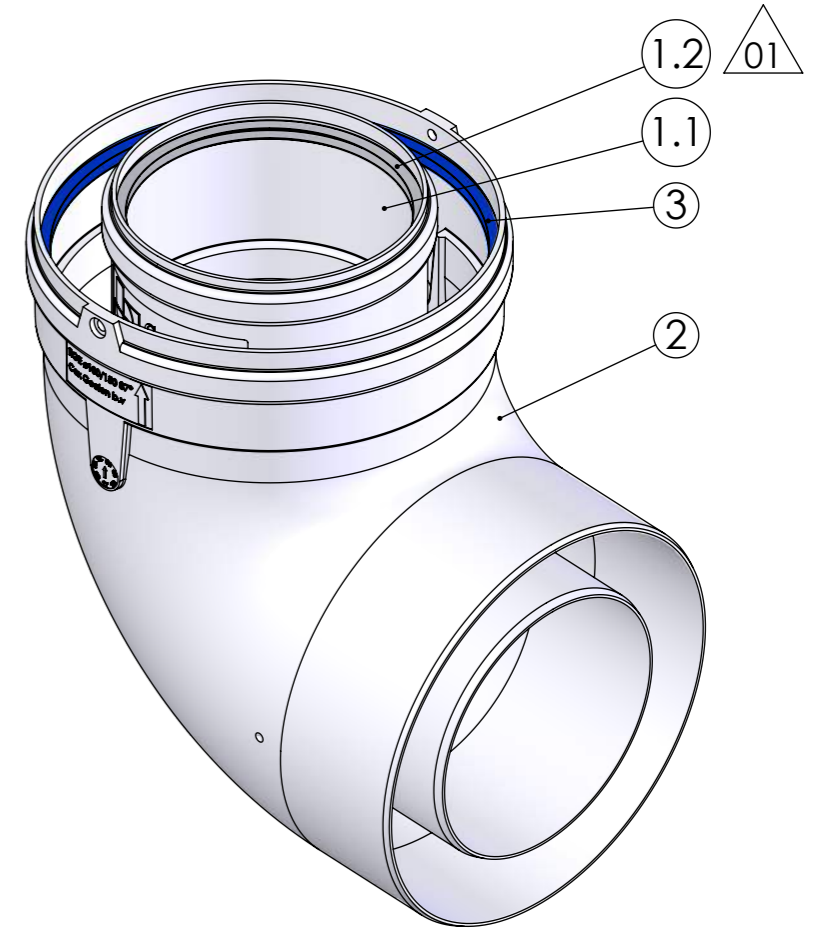


This drawing is property of Cox Geelen and may not be copied in whole or in part without the prior written consent of the owner



SECTION A-A




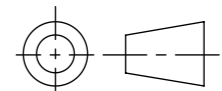
Revisions					
01	Seal colour flue pipe changed	17006	21-12-2017	M. Ubags	E. Franssen
00	Production drawing	11080	05-11-2013	M. Ubags	C. Vaessen
				Created	Checked

Pos.	QTY.	Description	Material	Drawing	Part nr
3	1	Seal VMQ Air ø150	VMQ Air	A2641	700363
2	1	Bend ø150 87°	EN-AC-46000	A2308	891377
1.2	1	Seal EPDM Flue gas ø100 S	EPDM Flue gas	A1960	891311
1.1	1	Bend ø100 87° with cams	CoxPP	A2243	-
1	1	Bend ø100 87° with cams	-	A2292	-

Scale: 1:2.5    Unit of measure: mm    Material: -    Comments: Thickness of coating: average ≥70µm

Title: Bend ø100-150 87° PP-AI

CAD Model: Bend D100-150 87gr PP-AI  
Configuration: Standard

 <b>Cox Geelen</b> www.coxgeelen.com	Tolerances: $\varnothing = \pm 0,5$ $L = \pm 3$ $< = \pm 3^\circ$	Projection: 	Dwg. no. : <b>A2309 P01</b>   A3
--	--	--	----------------------------------