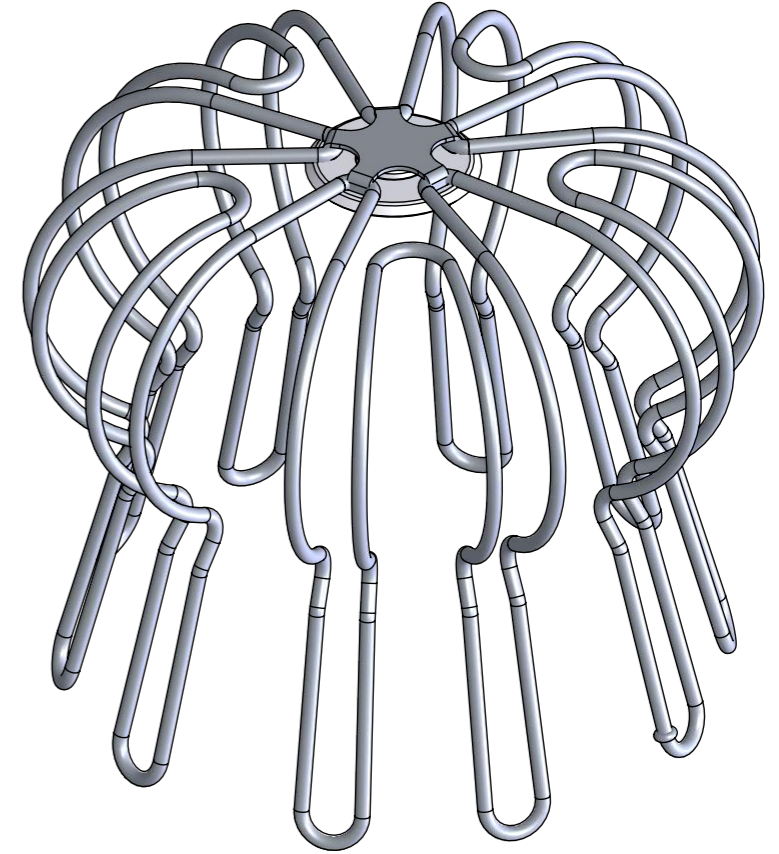
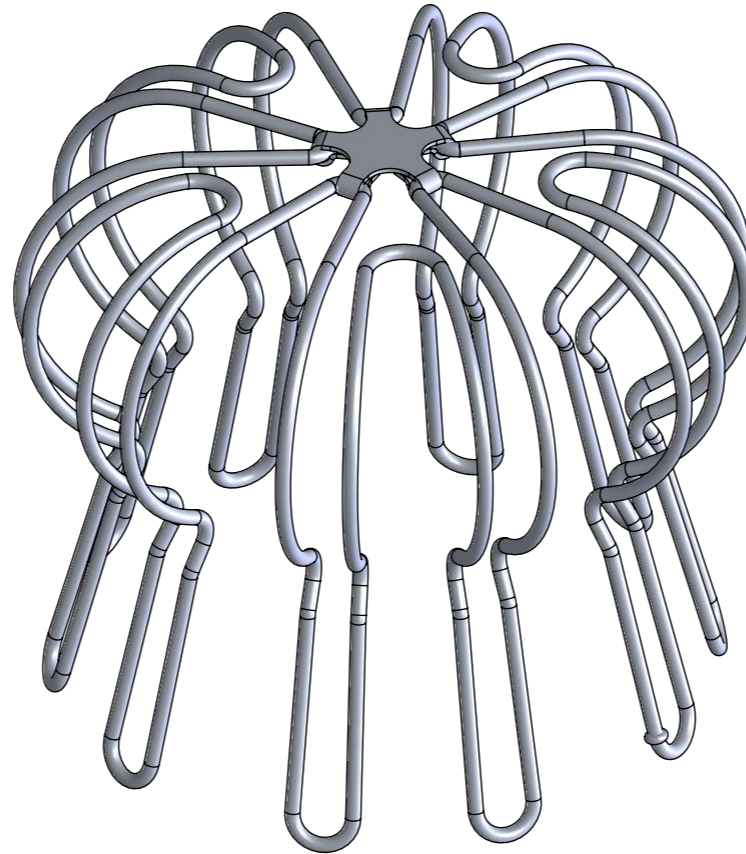
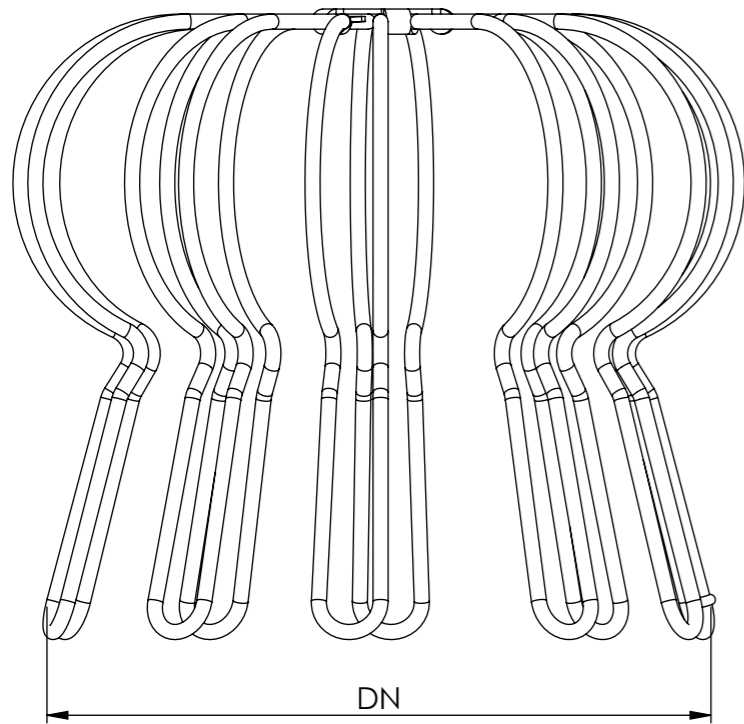



| Rev. | Description | Project nr. | Date | Created | Checked |
|------|--------------------------------|-------------|------------|---------|---------|
| 00 | Production drawing | 09013 | 05-05-2009 | RoBo | LuGo |
| 01 | Table changed | 12001 | 14-02-2012 | MaUb | LuGo |
| 02 | Platter added to larger models | 20068 | 12-11-2024 | Hace | LuGo |



| Model | DN | Material | Suitable for pipe \varnothing |
|-------|--------------------------|----------|---------------------------------|
| CG60 | $\varnothing 110 \pm 15$ | SS | 50 - 60 - 70 |
| CG90 | $\varnothing 145 \pm 25$ | SS | 80 - 90 - 100 |
| CG120 | $\varnothing 185 \pm 25$ | SS | 110 - 120 - 130 |

| Model | DN | Material | Suitable for pipe \varnothing |
|-------|--------------------------|----------|---------------------------------|
| CG150 | $\varnothing 220 \pm 25$ | SS | 140 - 150 - 160 |
| CG200 | $\varnothing 250 \pm 30$ | SS | 200 |
| CG250 | $\varnothing 310 \pm 35$ | SS | 250 |

This drawing is property of Cox Geelen and may not be copied in whole or in part without the prior written consent of the owner

| | | | |
|--|---------------------|--|-----------------|
| Scale: 1:1.5 | Unit of measure: mm | Material: - | Comments: |
| Title: Terminal Guard | | | |
| CAD Model: 3D0162058 | | A0997 A | |
| Configuration: RVS | | Tolerances: $\varnothing = \pm 0.5$ $L = \pm 3$ $< = \pm 3^\circ$ | Projection: |
|  Cox Geelen www.coxgeelen.com | | Dwg. no. : 0134260 P 02 A3 | |