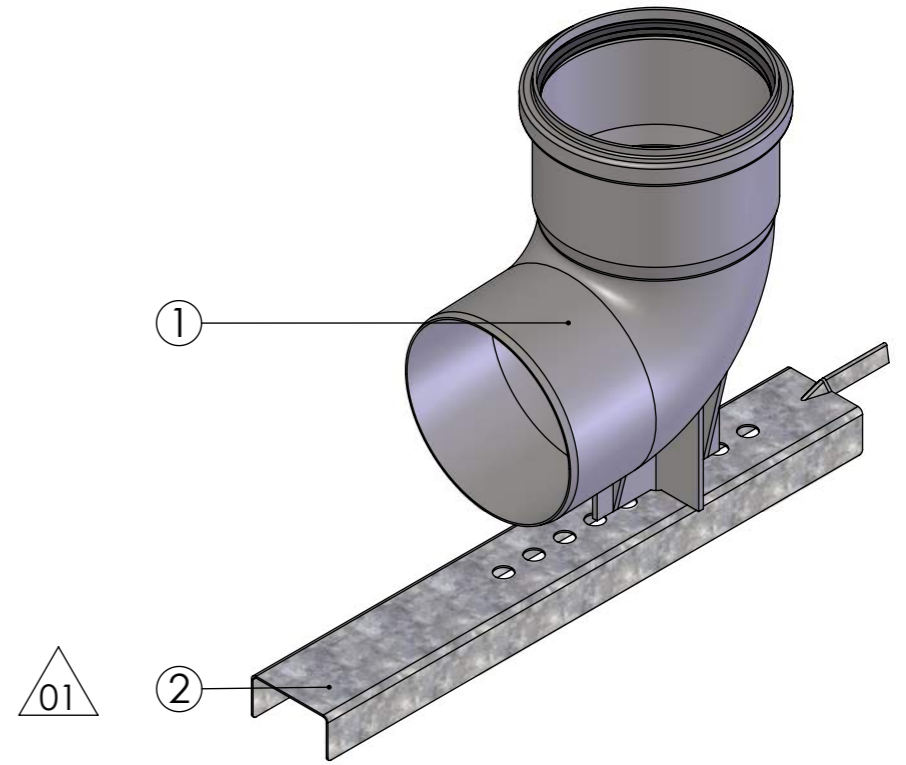
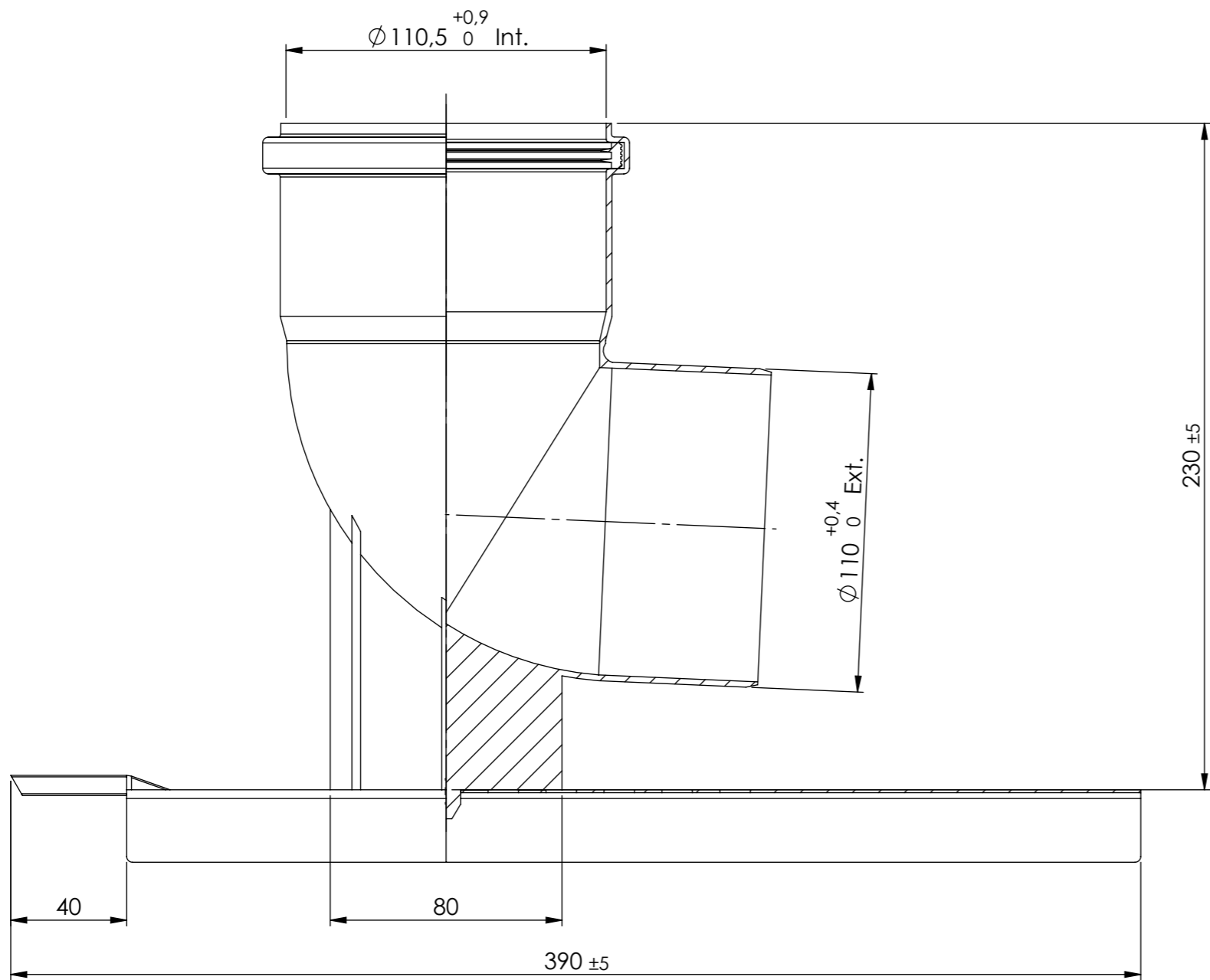
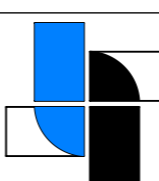
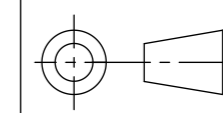


This drawing is property of Cox Geelen and may not be copied in whole or in part without the prior written consent of the owner



2	1	Shaft bend support	DX52D	A2946	710093
1	1	Shaft bend $\varnothing 110$	-	A2032	113691
Pos.	QTY.	Description	Material	Drawing	Part nr
Unit of measure:		mm	Name: R.Houwen	Date: 05-11-2009	Material: -
Scale:		1:2	Checked: E.Franssen	Date: 05-11-2009	Mass[g]: 446.94
Title: Bend $\varnothing 110$ with shaft support					Comments:
 Cox Geelen Emmastraat 92 6245 HZ Eijsden Nederland T: +31 (0) 43-4099500 F: +31 (0) 43-4091987		Tolerances:	Projection:		
		$\varnothing = \pm 0.5$ $L = \pm 3$ $\angle = \pm 3^\circ$			
				Part.no:	CKCR
				Dwg. no.:	A1113 P 01 A3

Revisions				
01	Shaft bend support changed	15001	06-11-2015	FrKn
00	Production drawing	09013	05-11-2009	RoHo