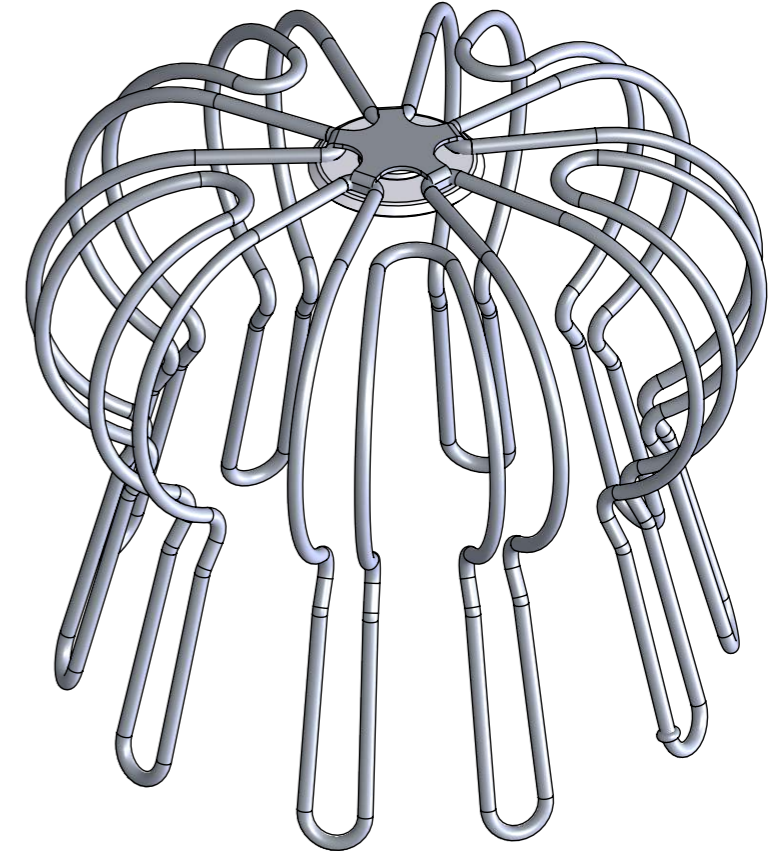
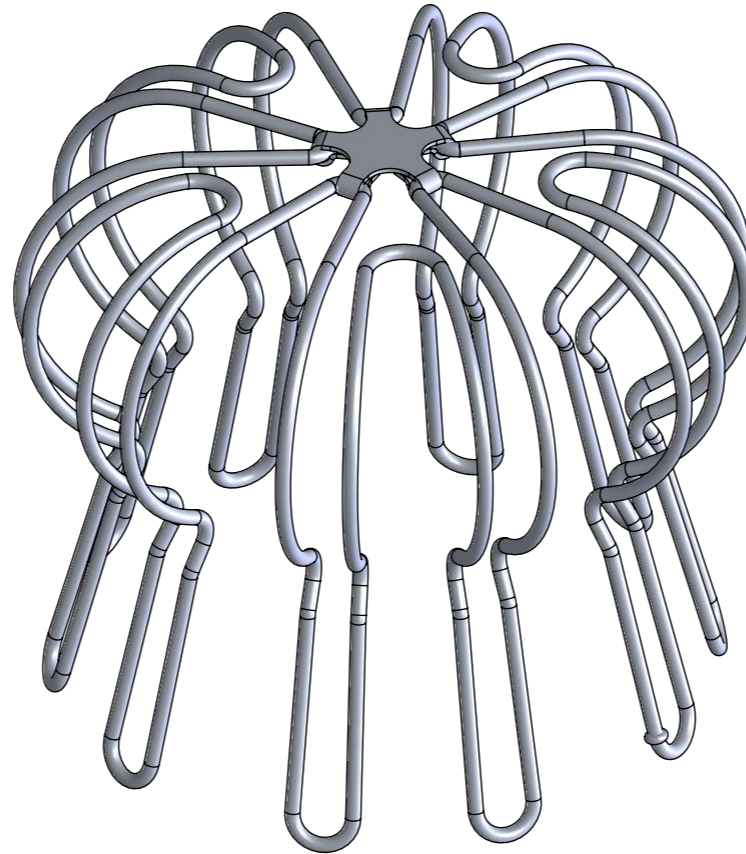
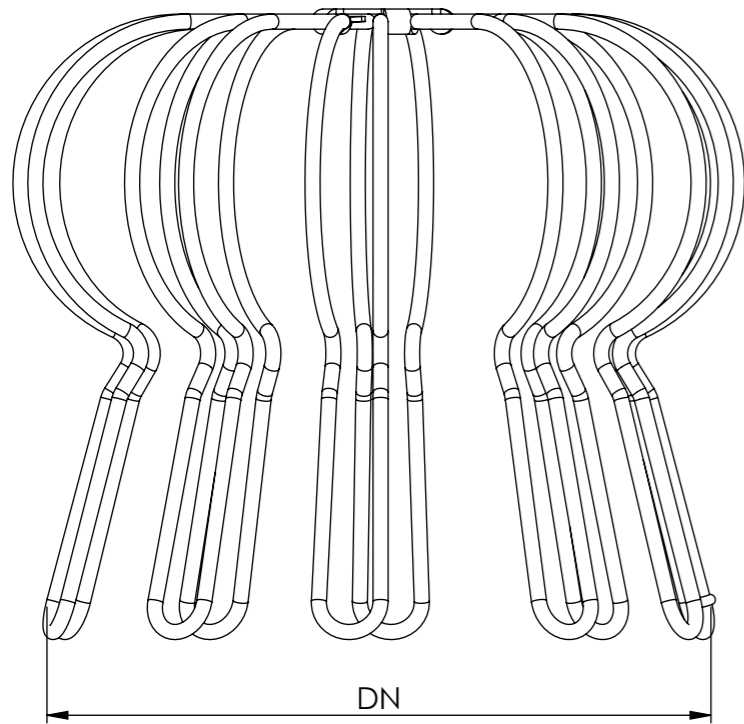



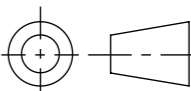
Rev.	Description	Project nr.	Date	Created	Checked
00	Production drawing	09013	05-05-2009	RoBo	LuGo
01	Table changed	12001	14-02-2012	MaUb	LuGo
02	Platter added to larger models	20068	12-11-2024	Hace	LuGo



Model	DN	Material	Suitable for pipe \varnothing
CG60	$\varnothing 110 \pm 15$	SS	50 - 60 - 70
CG90	$\varnothing 145 \pm 25$	SS	80 - 90 - 100
CG120	$\varnothing 185 \pm 25$	SS	110 - 120 - 130

Model	DN	Material	Suitable for pipe \varnothing
CG150	$\varnothing 220 \pm 25$	SS	140 - 150 - 160
CG200	$\varnothing 250 \pm 30$	SS	200
CG250	$\varnothing 310 \pm 35$	SS	250

This drawing is property of Cox Geelen and may not be copied in whole or in part without the prior written consent of the owner

Scale: 1:1.5	Unit of measure: mm	Material: -	Comments:
Title: Terminal Guard			
CAD Model: 3D0162058 Configuration: RVS		A0997	A
 Cox Geelen www.coxgeelen.com	Tolerances: $\varnothing = \pm 0.5$ $L = \pm 3$ $< = \pm 3^\circ$	Projection: 	Dwg. no. : 0134260 P 02 A3