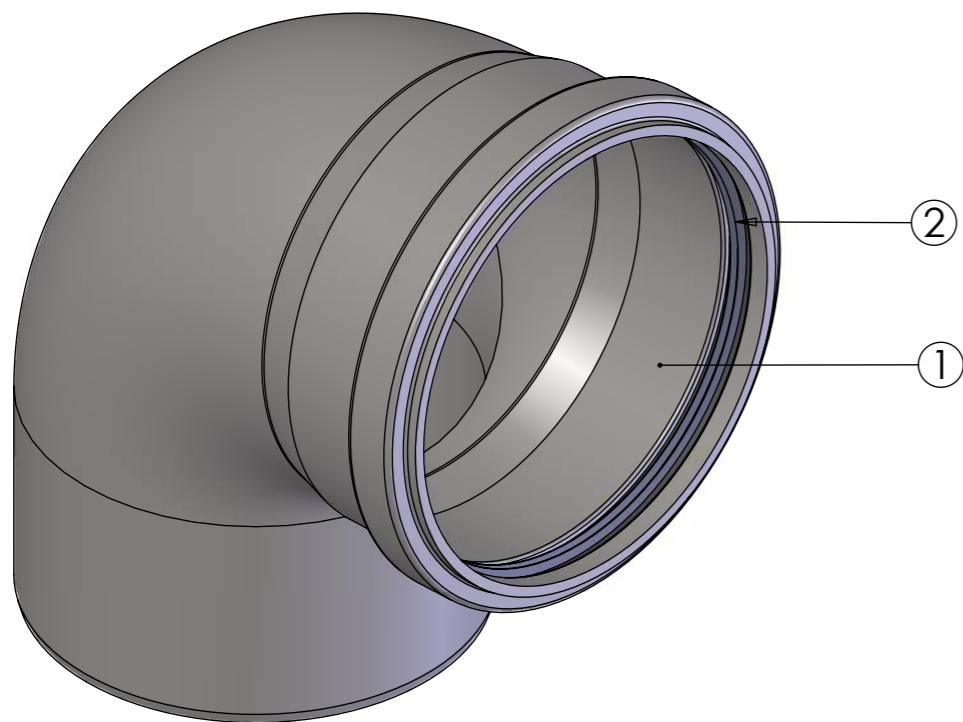
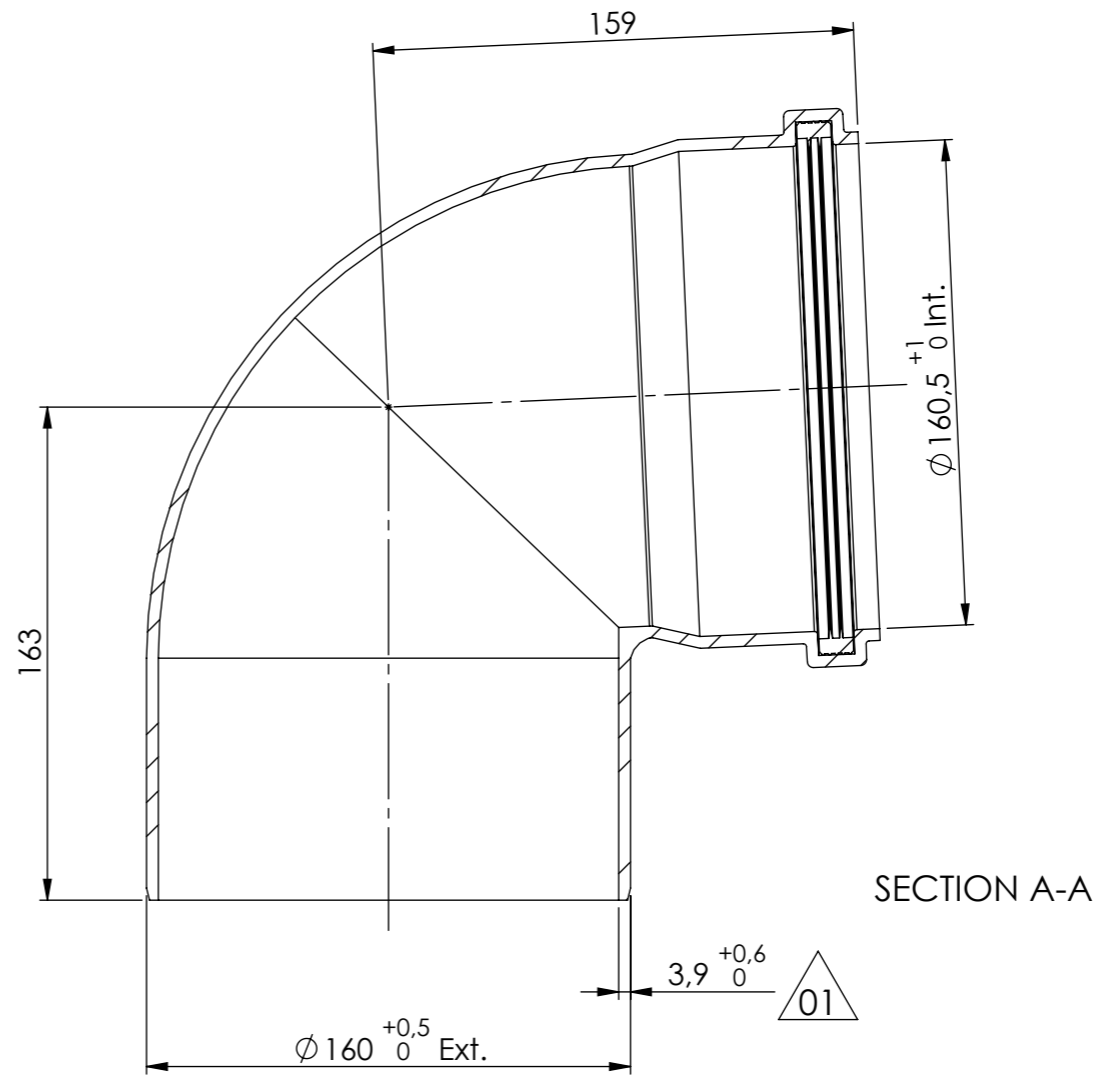
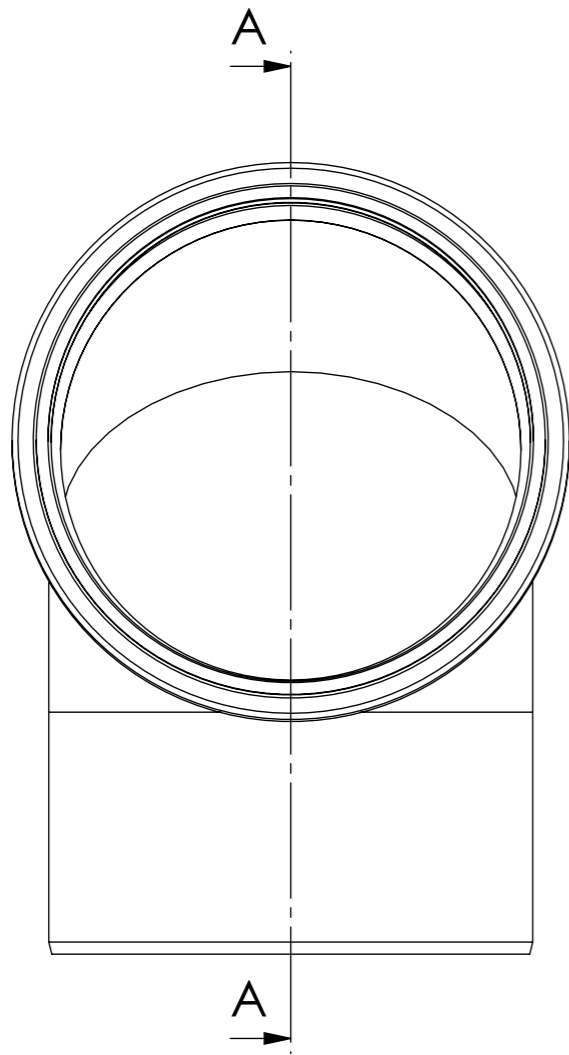
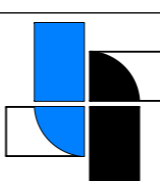
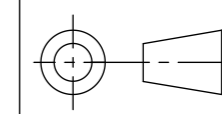


This drawing is property of Cox Geelen and may not be copied in whole or in part without the prior written consent of the owner



Revisions	Dimension added	16001	11-01-2016	RoHo
00	Production drawing	12001	12-04-2012	RoHo

2	1	Seal $\varnothing 160$	EPDM Flue gas	L0295	891378
1	1	Bend $\varnothing 160$ 87°	PPs	-	-
Pos.	QTY.	Description	Material	Drawing	Part nr
Unit of measure:		mm	Name: R.Houwen	Date: 12-04-2012	Material: -
Scale:		1:2.5	Checked: C.Vaessen	Date: 12-04-2012	Mass[g]: 567.66
Title: PPs bend $\varnothing 160$ 87°				Comments: Old drawing: L0045	
 Cox Geelen Emmastraat 92 6245 HZ Eijsden Nederland T: +31 (0)43-4099500 F: +31 (0)43-4091987		Tolerances:		Projection:	
		$\varnothing = \pm 0,5$ $L = \pm 3$ $\angle = \pm 3^\circ$			
				Part.no:	-
				Dwg. no.:	A1885 P 01 A3