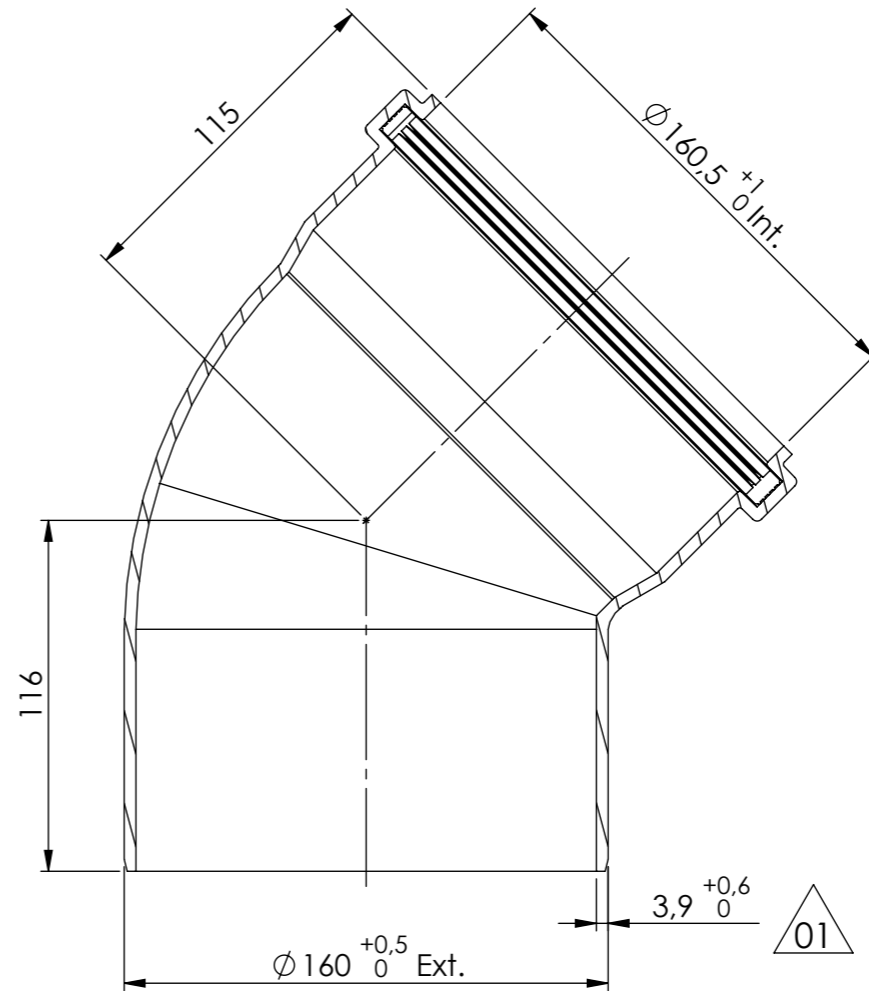
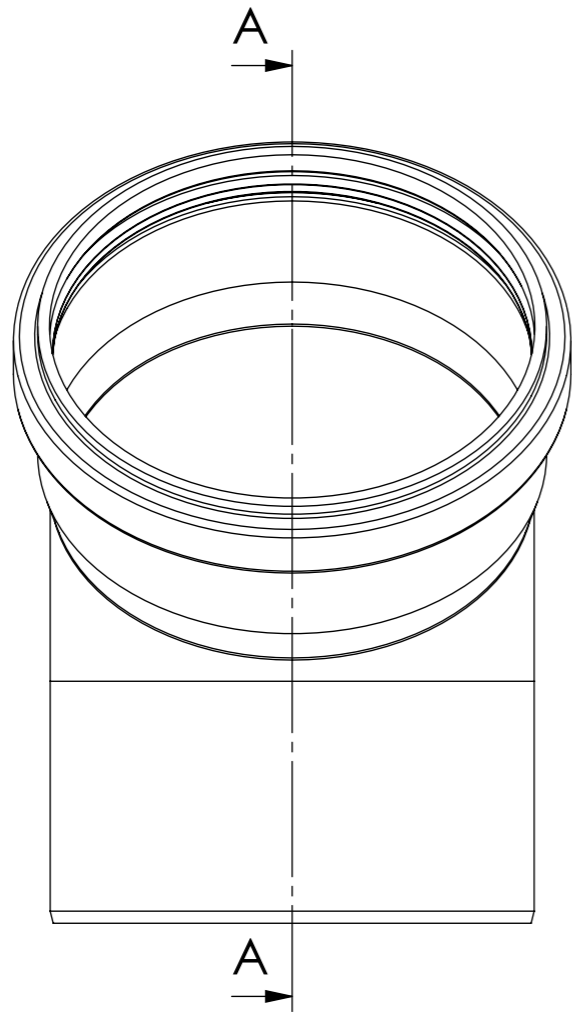
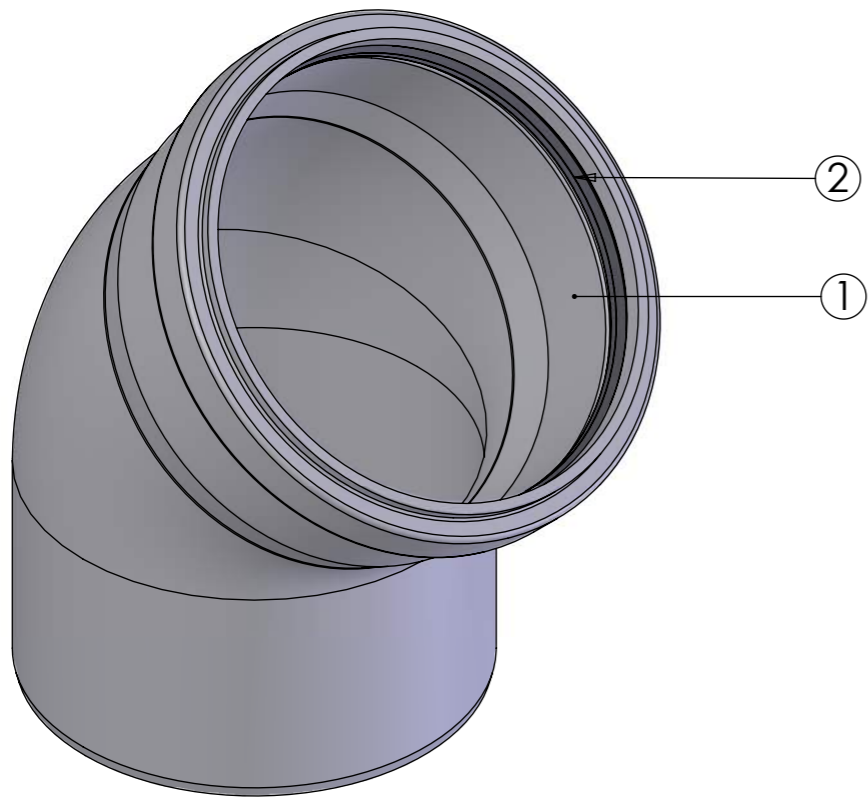


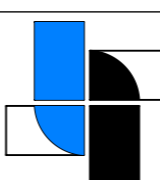
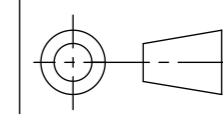
This drawing is property of Cox Geelen and may not be copied in whole or in part without the prior written consent of the owner



SECTION A-A



| Revisions | RoHo | Date       | Quantity | Description        |
|-----------|------|------------|----------|--------------------|
| 01        | RoHo | 11-01-2016 | 16001    | Dimension added    |
| 00        | RoHo | 12-04-2012 | 12001    | Production drawing |

| 2   | 1    | Seal ø160                        | EPDM Flue gas      | L0295   | 891378                          |
|---|------|----------------------------------|--------------------|---|---------------------------------|
| 1   | 1    | Bend ø160                        | PPs                | -   | -                               |
| Pos.  | QTY. | Description                      | Material           | Drawing   | Part nr                         |
| Unit of measure:  |      | mm                               | Name: R.Houwen     | Date: 12-04-2012  | Material: -                     |
| Scale:  |      | 1:2.5                            | Checked: C.Vaessen | Date: 12-04-2012  | Mass[g]: 460.93                 |
| Title:<br>PPs Bend ø160 45°   |      |                                  |                    |   | Comments:<br>Old drawing: L0043 |
|  <b>Cox Geelen</b><br>Emmastraat 92<br>6245 HZ Eijsden Nederland<br>T: +31 (0) 43-4099500<br>F: +31 (0) 43-4091987 |      | Tolerances:                      |                    | Projection:   |                                 |
|   |      | ø = ± 0.5<br>L = ± 3<br>∠ = ± 3° |                    |  |                                 |
| Part.no: -  |      |                                  |                    |   | A3                              |
| Dwg. no. : <b>A1886 P 01</b>  |      |                                  |                    |   |                                 |