



**The Clear Choice**  
Water Filtration Systems

[www.aquafilter.com](http://www.aquafilter.com)

# BIG BLUE

## Whole house filtration system

### PRODUCT UNIQUENESS

Big Blue is very user friendly and comes complete with a tool to easily remove the housing when you want to replace or inspect your cartridges. The filter housing is supplied with a free standing bracket, brass air bleeder valve fitted to each filter for easy cartridge change and improved threaded housing connector, no need for teflon tape. There is a place to fit a gauge if you require a gauge in each filter and it comes standard with a 1" BSP inlet & outlet which can be reduced down in size very easily with a reducer.



### NEW THREADED CONNECTOR WITH TWO O-RINGS



#### PROTECT HOME

Protect home appliances improves the durability, efficiency and lifespan of your water appliances and saves money on lower energy costs.



#### ANTI-ODOR

Protects your family from exposure to unpleasant odors and chemicals at every outlet leaving you with a healthier hair and skin.



#### QUALITY DRINKING WATER

Get unlimited healthy and delicious drinking water at home - excellent for cooking, making soups, coffee and tea brewing and much more.



#### HEALTHY PETS

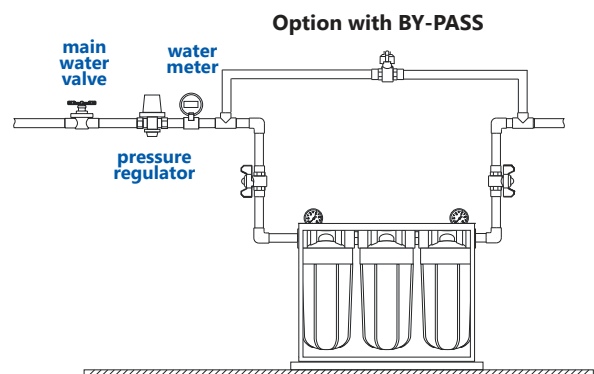
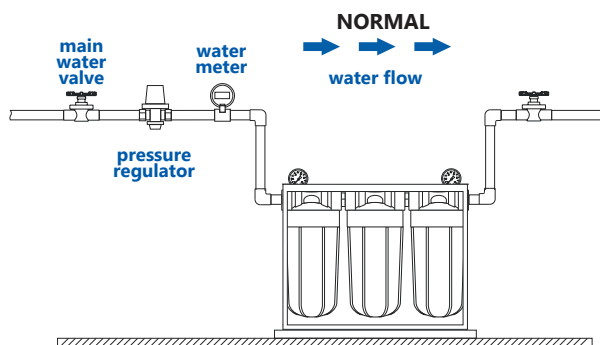
Dechlorinate drinking water and protection against giardia and other cysts.



#### PLANTS

Chlorine free water for indoor and outdoor applications.

### SYSTEM INSTALLATION



## SYSTEM COMPONENTS



**FXWR1BB-BL**  
Wrench



**NI-212-CENT-GR-AB**  
Bacteriostatic Filter cartridge  
centralizing ring



**KCGA-1-E2**  
Pressure gauge  
extension

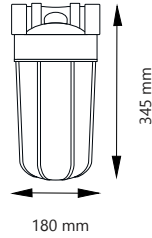
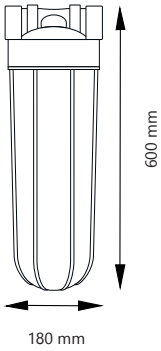


**KCGA-1**  
Pressure gauge



**Metal Frame**

## PRODUCT DETAILS

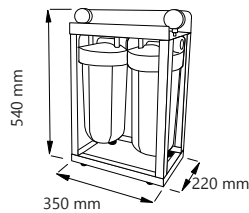


### BRASS PRESSURE VALVE

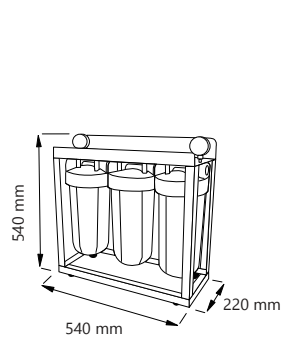
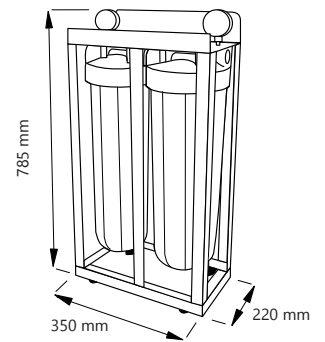


Part number	Size
<b>HHBB10A</b>	<b>1" (BSP)</b>
<b>HHBB20A</b>	<b>1" (BSP)</b>
<b>HHBB10B</b>	<b>1" (BSP)</b>
<b>HHBB20B</b>	<b>1" (BSP)</b>

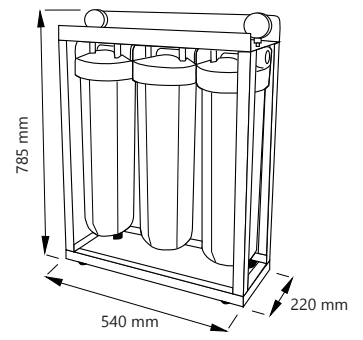
**HHBB10A**



**HHBB20A**



**HHBB10B**



**HHBB20B**

