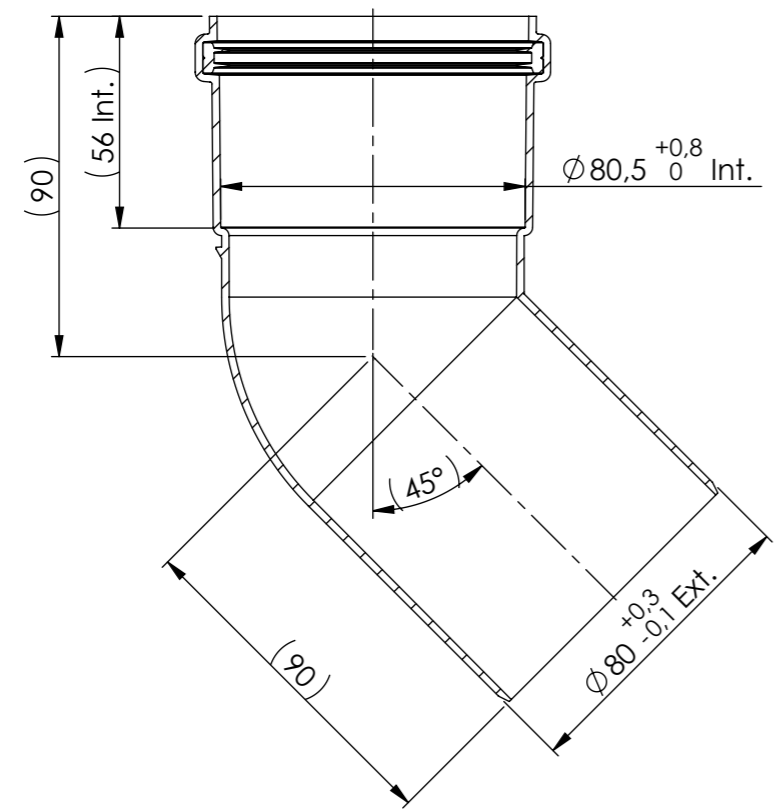
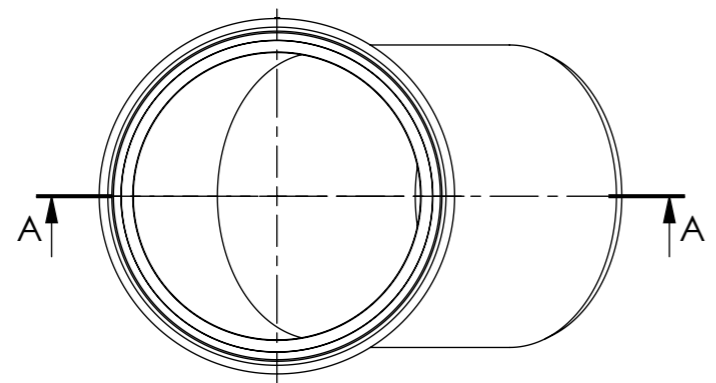
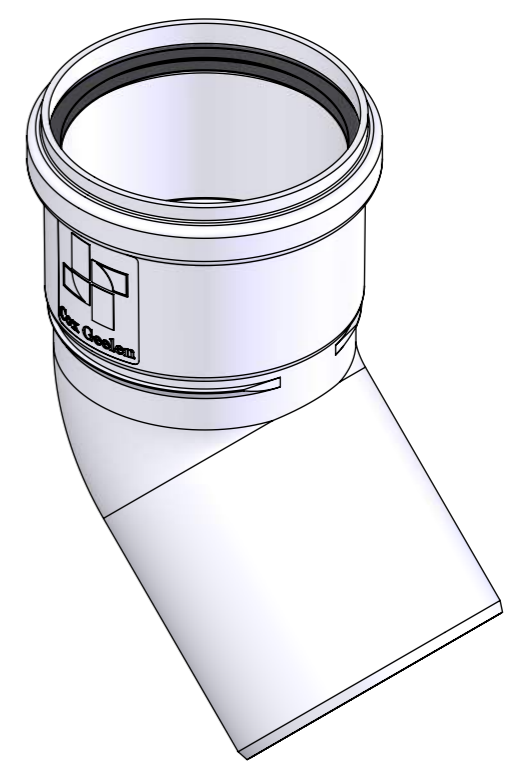



This drawing is property of Cox Geelen and may not be copied in whole or in part without the prior written consent of the owner



SECTION A-A



Scale: 1:2	Unit of measure: mm	Material: -	Comments: (L0663)
Title: Flue Bend ø80 45° Standard PP			
CAD Model: Bend 80 45gr Flue Configuration: General drawing standard			Dwg. no. : B0016 P00 A3
 Cox Geelen www.coxgeelen.com		Tolerances: $\varnothing = \pm 0,5$ $L = \pm 3$ $< = \pm 3^\circ$	

00	Production drawing	13020	29-04-2016	F. Knoops	C. Vaessen
	Revisions			Created	Checked