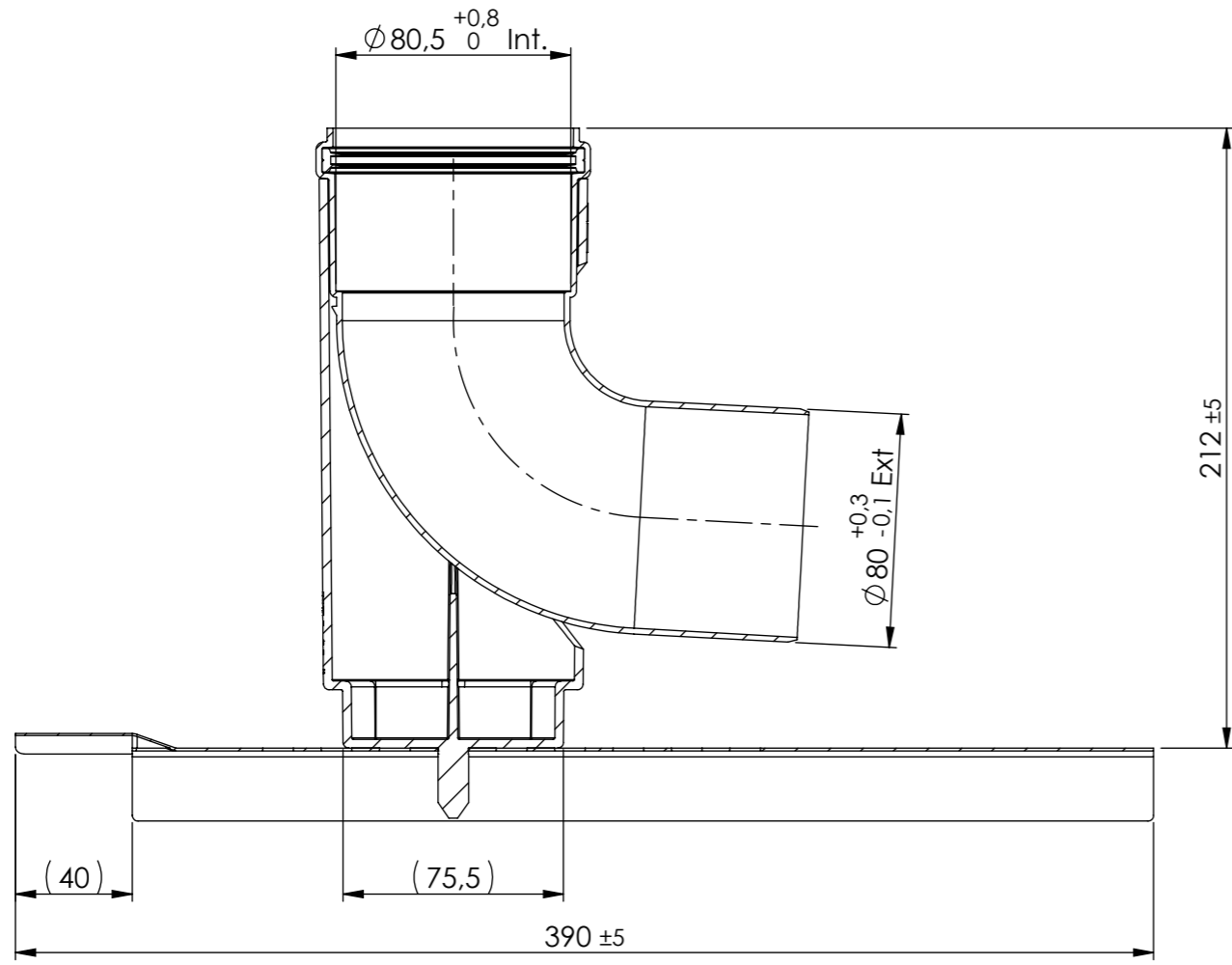
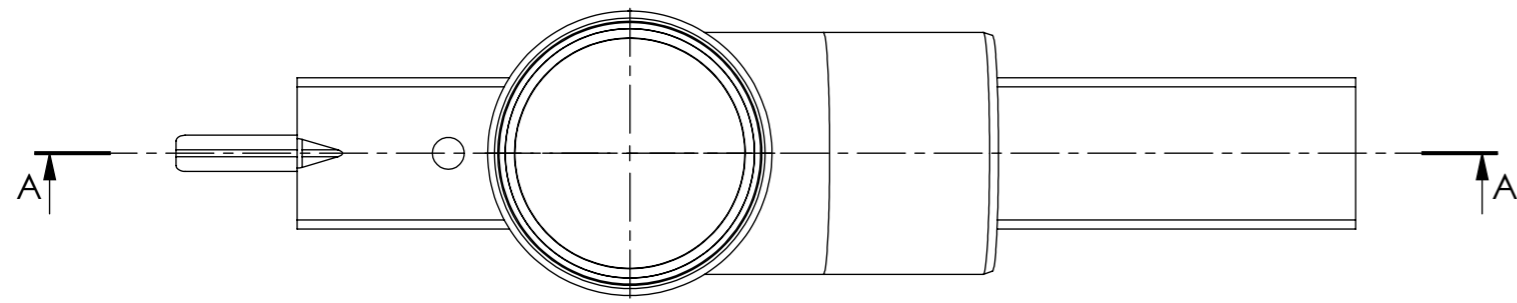
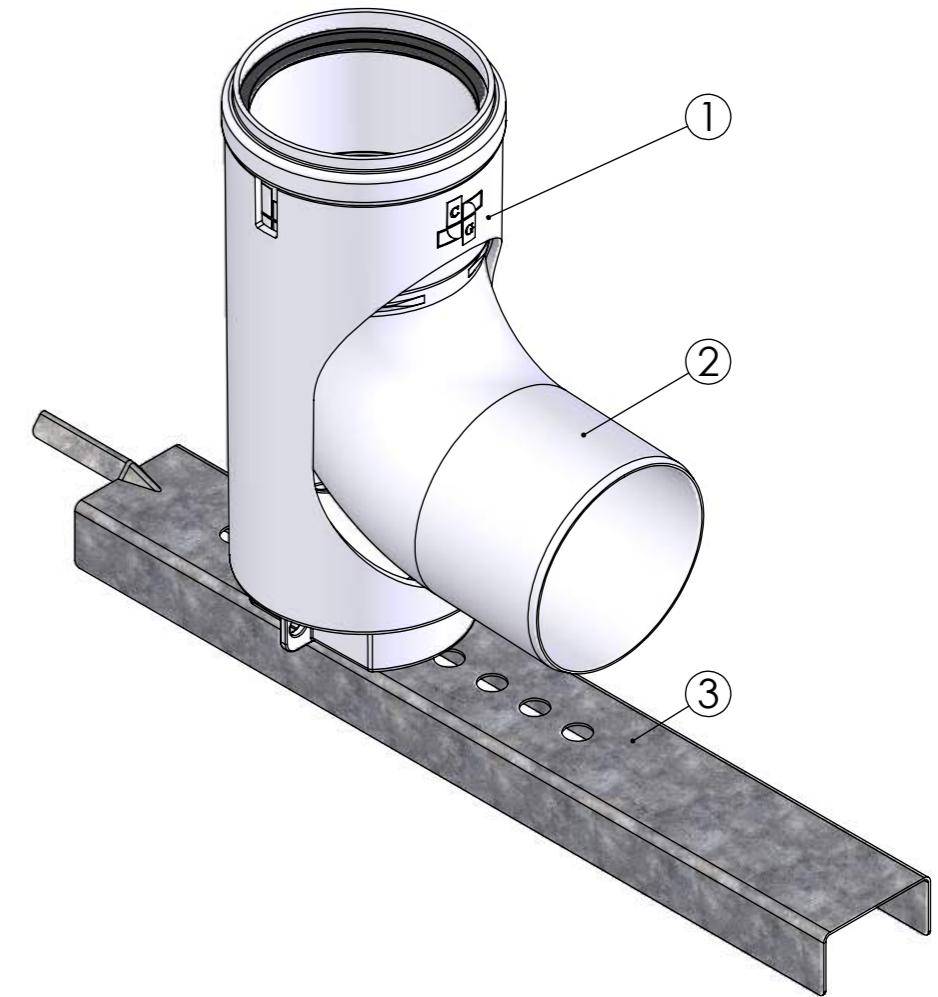


This drawing is property of Cox Geelen and may not be copied in whole or in part without the prior written consent of the owner



SECTION A-A


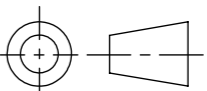


| Pos. | QTY. | Description | Material | Drawing | Part nr |
|------|------|---|-----------|---------|-----------|
| 3 | 1 | Shaft bend support | DX52D | A2946 | 710093 |
| 2 | 1 | Flue bend $\varnothing 80$ 87° Standard | - | L0667 | BLAHAK600 |
| 1 | 1 | Chimney support $\varnothing 80$ | CoxPP-HBA | L0782 | 891937 |

Scale: 1:2.5 Unit of measure: mm Material: - Comments:

Title: **Bend 80 with shaft support**

CAD Model: Bend 80 with shaft support
Configuration: Standard

| | | | |
|--|--|--|--------------------------------|
|  Cox Geelen www.coxgeelen.com | Tolerances: $\varnothing = \pm 0,5$ $L = \pm 3$ $< = \pm 3^\circ$ | Projection:  | Dwg. no. : B0103 P00 A3 |
| | 00 Production drawing 13020 21-07-2016 F. Knoops C. Vaessen Revisions Created Checked | | |