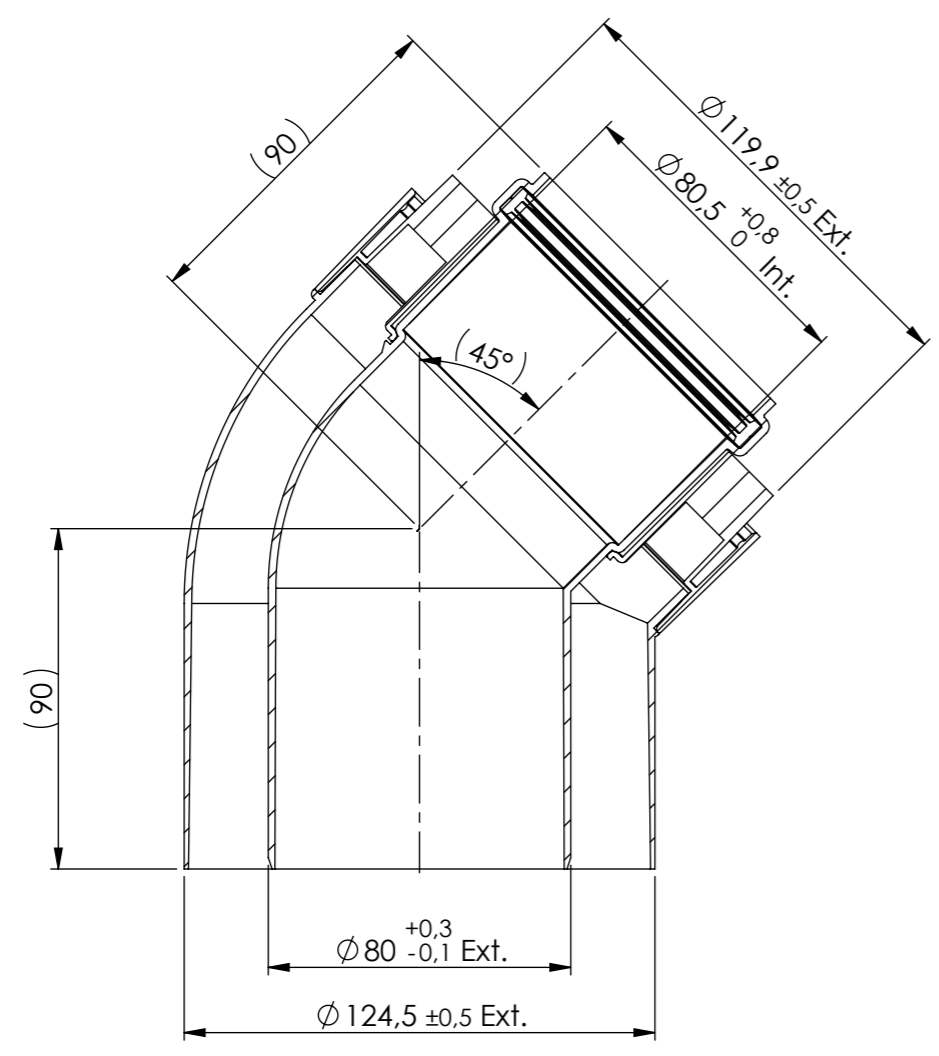
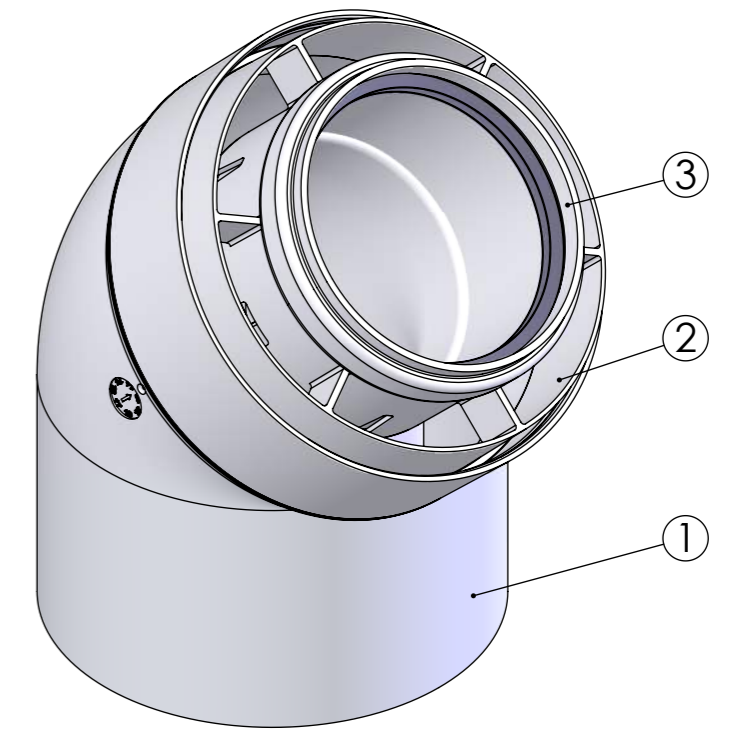
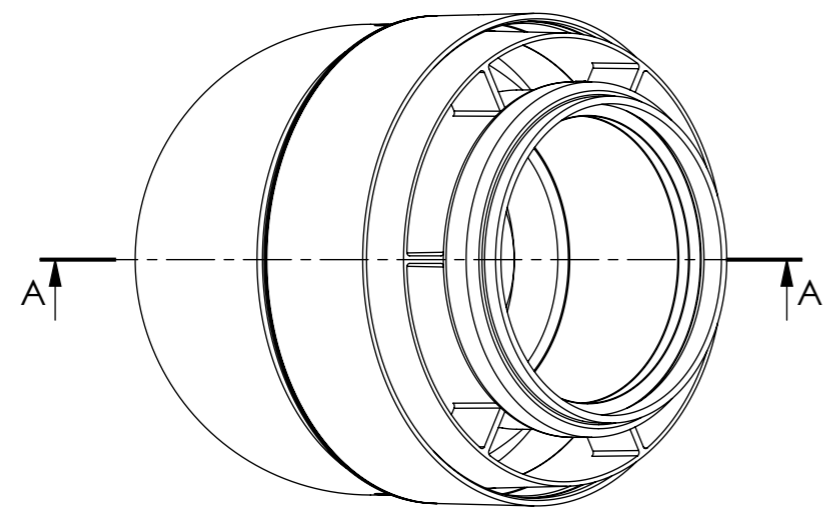


This drawing is property of Cox Geelen and may not be copied in whole or in part without the prior written consent of the owner



SECTION A-A


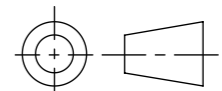
00	Production drawing	13020	02-05-2016	F. Knoops	C. Vaessen
	Revisions			Created	Checked

3	1	Flue Bend ø80 45° Standard	-	L0663	BLAJAK600
2	1	Coupling unit ø80-125	PC/ABS	A0067	-
1	1	Bend ø125 45° coupling	EN-AC-46000	A0195	891704
Pos.	QTY.	Description	Material	Drawing	Part nr

Scale: 1:2    Unit of measure: mm    Material:    Comments: Thickness of coating: average ≥70µm

Title: **Bend ø80-125 45° PP-Al ConneXt**

CAD Model: Bend 80-125 45deg. PP-Al coupling  
Configuration: Standard

 <b>Cox Geelen</b> www.coxgeelen.com	Tolerances: $\varnothing = \pm 0,5$ $L = \pm 3$ $< = \pm 3^\circ$	Projection: 	Dwg. no. : <b>B0028 P00</b>   <b>A3</b>
--	--	--	---