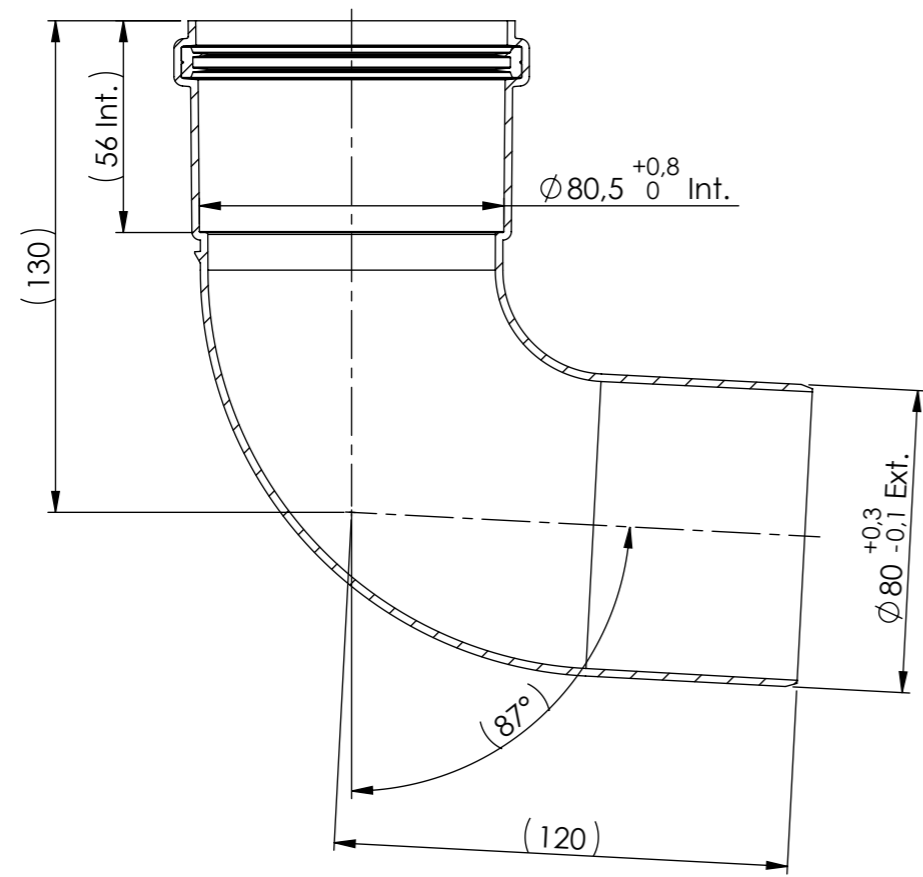
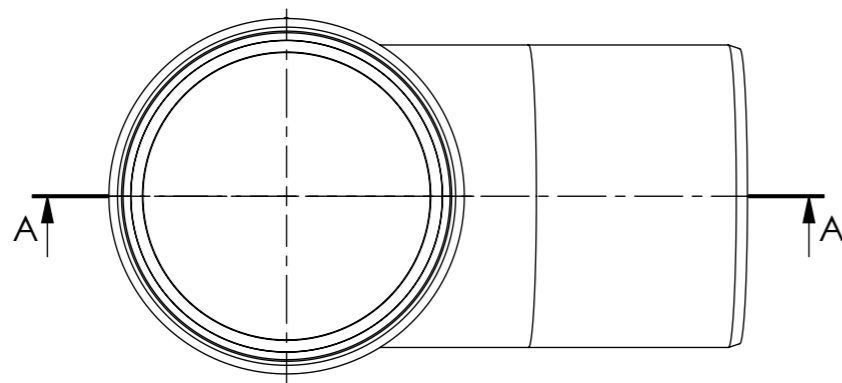
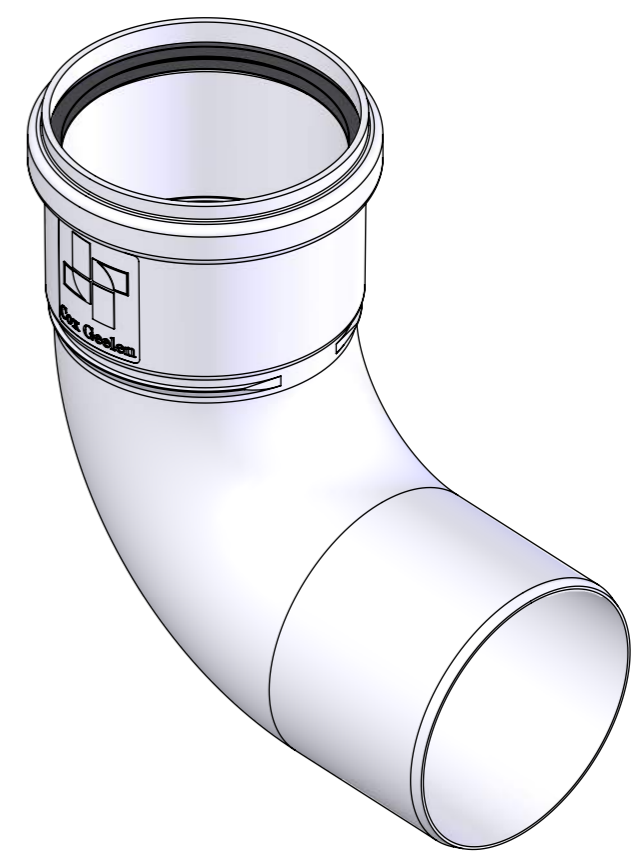



This drawing is property of Cox Geelen and may not be copied in whole or in part without the prior written consent of the owner



SECTION A-A



|  |                     |   |                                 |
|--|---------------------|---|---------------------------------|
| Scale: 1:2   | Unit of measure: mm | Material: -   | Comments:<br>(L0667)            |
| Title:<br>Flue bend ø80 87° Standard PP  |                     |   |                                 |
| CAD Model: Bend 80 87gr Flue<br>Configuration: General drawing   |                     |   | Dwg. no. : <b>B0015P00</b>   A3 |
|  <b>Cox Geelen</b><br>www.coxgeelen.com |                     | Tolerances:<br>$\varnothing = \pm 0,5$<br>$L = \pm 3$<br>$\angle = \pm 3^\circ$ |                                 |

|    |                    |       |            |           |            |
|----|--------------------|-------|------------|-----------|------------|
| 00 | Production drawing | 13020 | 29-04-2016 | F. Knoops | C. Vaessen |
|    | Revisions          |       |            | Created   | Checked    |