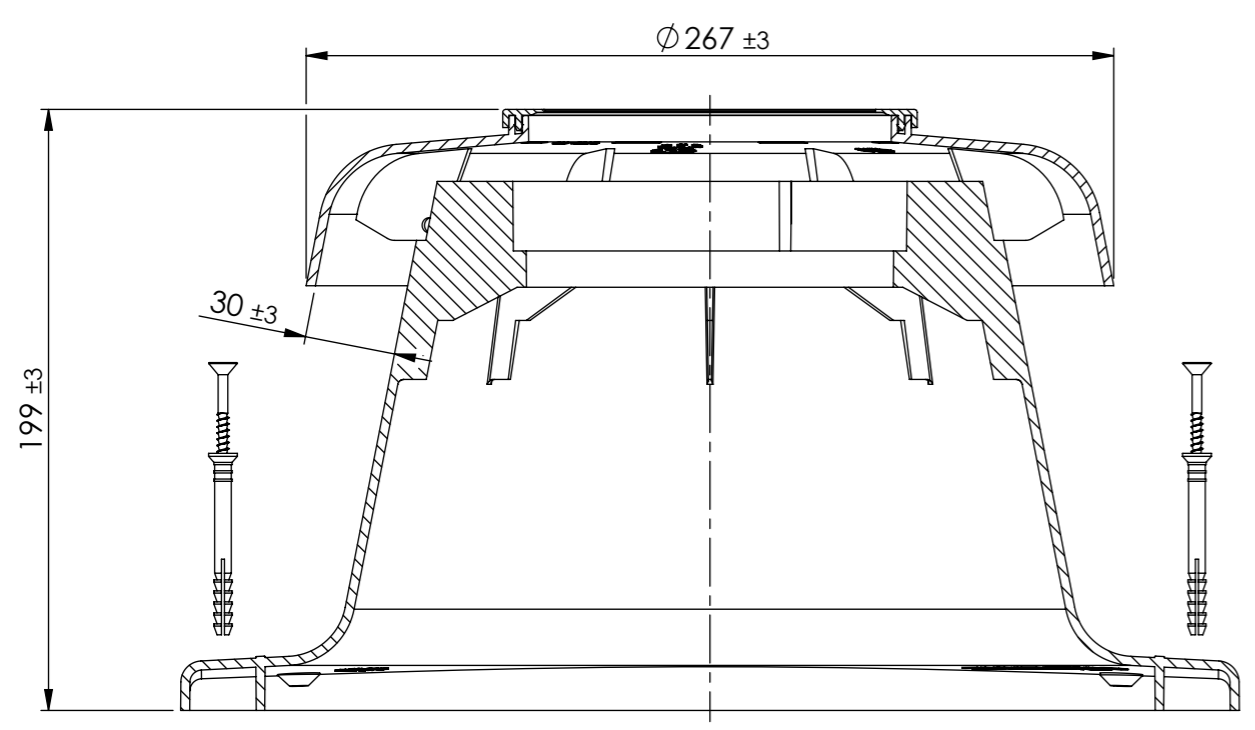
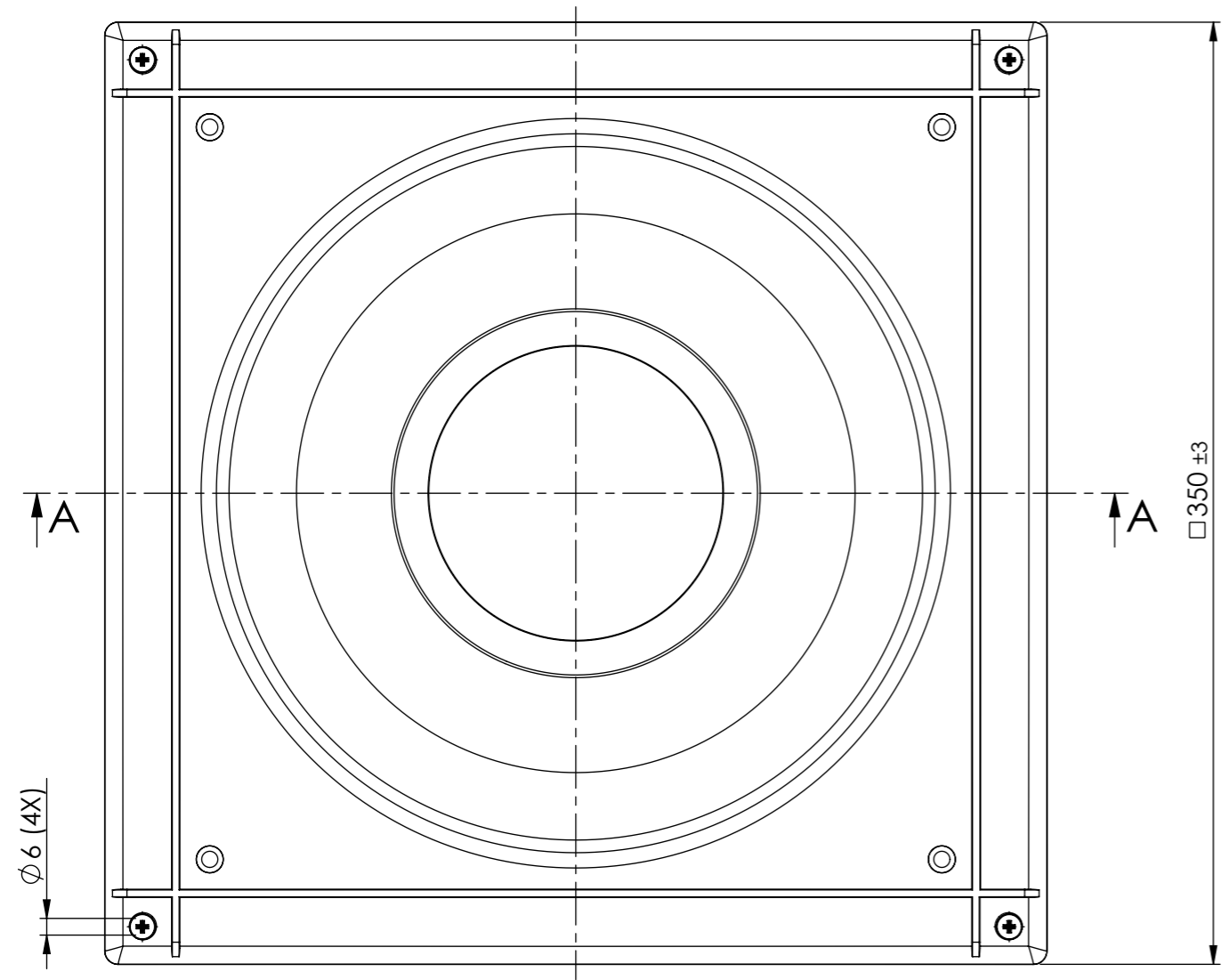
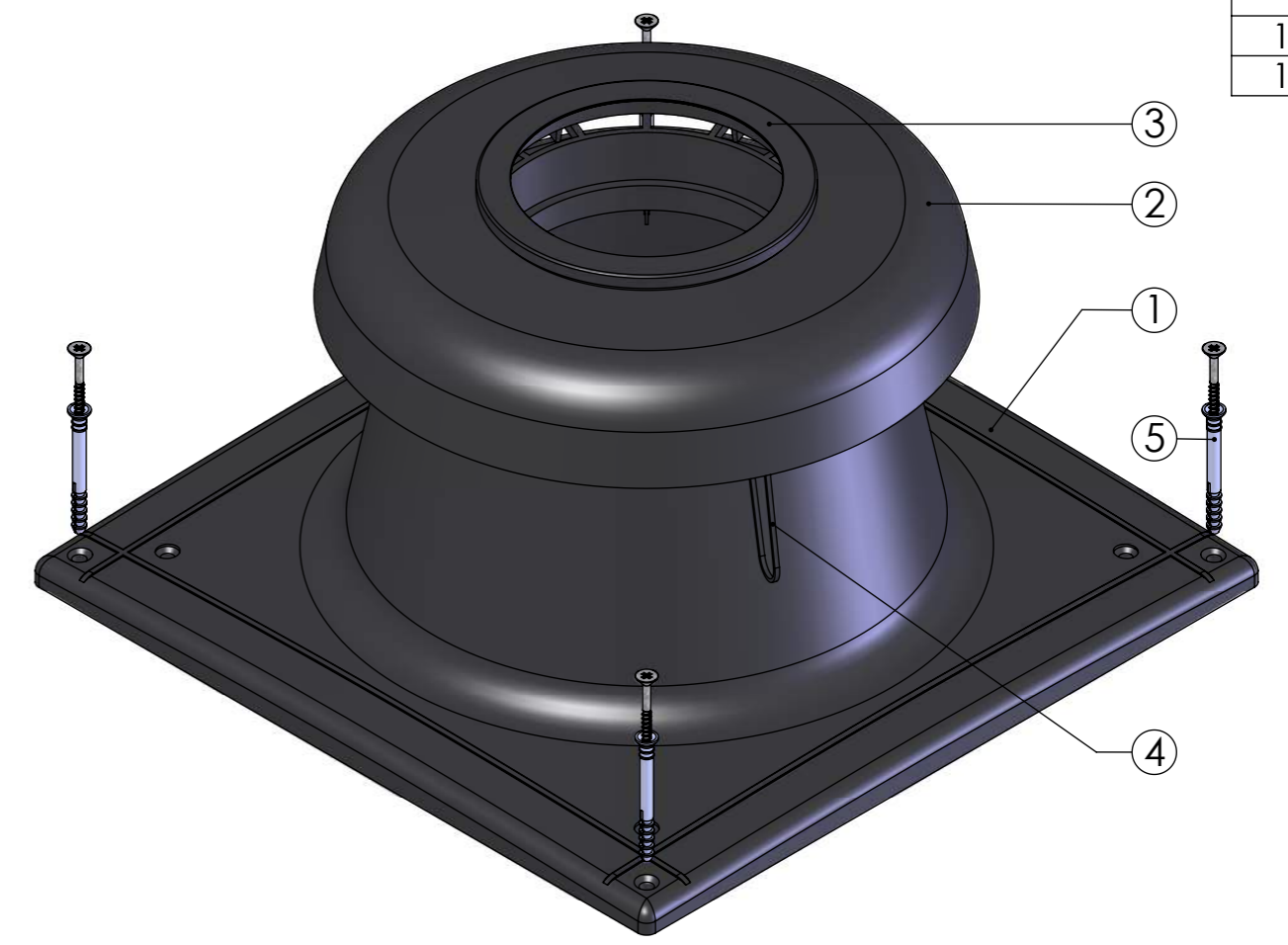


This drawing is property of Cox Geelen and may not be copied in whole or in part without the prior written consent of the owner



SECTION A-A

00	Production drawing	14001	07-01-2014	RoHo
Revisions				



D
100
110

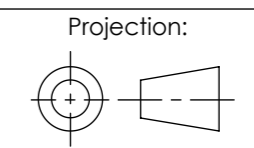
Pos.	QTY.	Description	Material	Drawing	Part nr
5	1	Hammerfix plug $\phi 6$ (set of 4 pieces)	-	-	123619
4	1	Plastic cord	PA6	07160	890212
3	1	Seal shaft cover	Silicone	07885	-
2	1	Shaftcover hood $\phi 100-110$	HDPE	A2977	123612
1	1	Shaft cover house	HDPE	A1423	891860

Unit of measure:	mm	Name:	R. Houwen	Date:	07-01-2014	Material:	-
Scale:	1:2.5	Checked:	L. Goessen	Date:	07-01-2014	Comments:	

Title:
Shaft cover $\phi 100 / 110$

CAD Model: Schachtafdekkung kunststof
Configuration: $\phi 110$ met schroeven

Tolerances:
 $\phi = \pm 0,5$
 $L = \pm 3$
 $< = \pm 3^\circ$



Dwg. no. : **A2412P00** A3