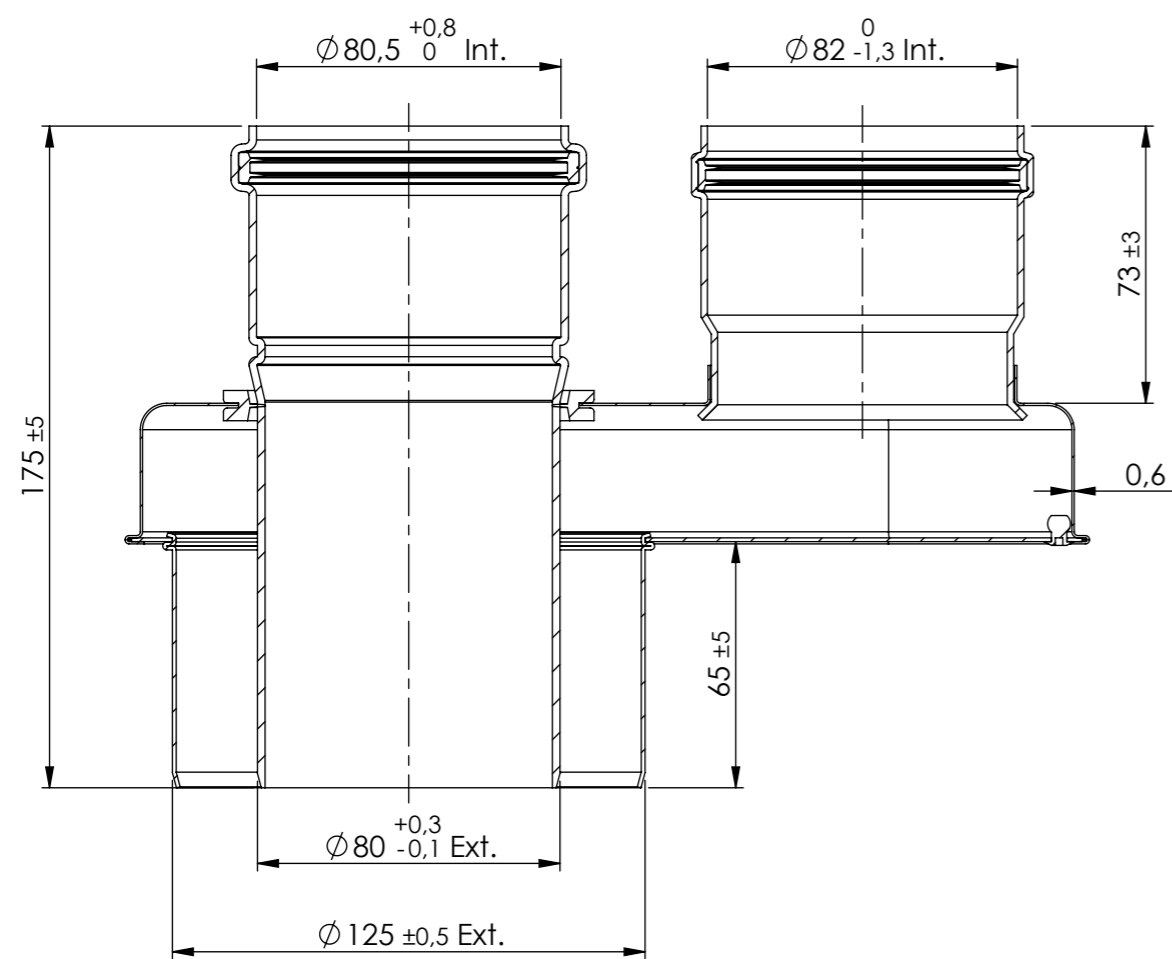
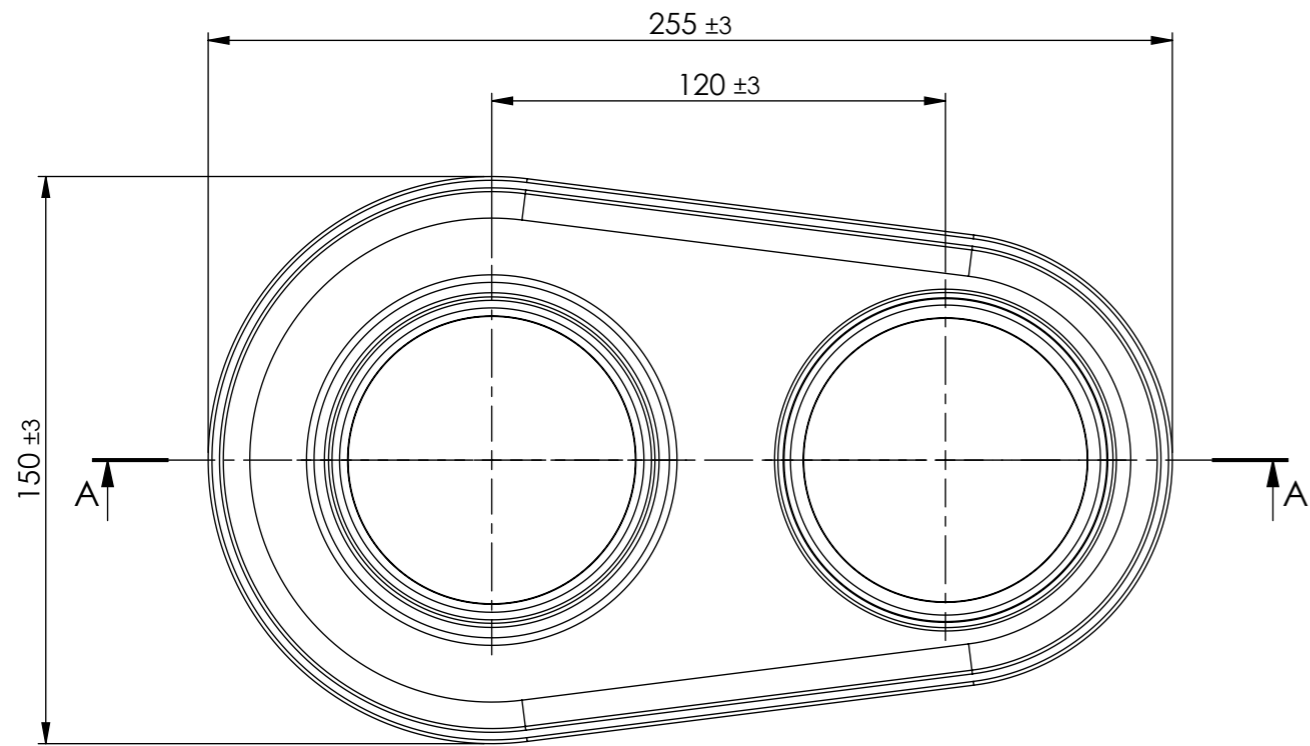
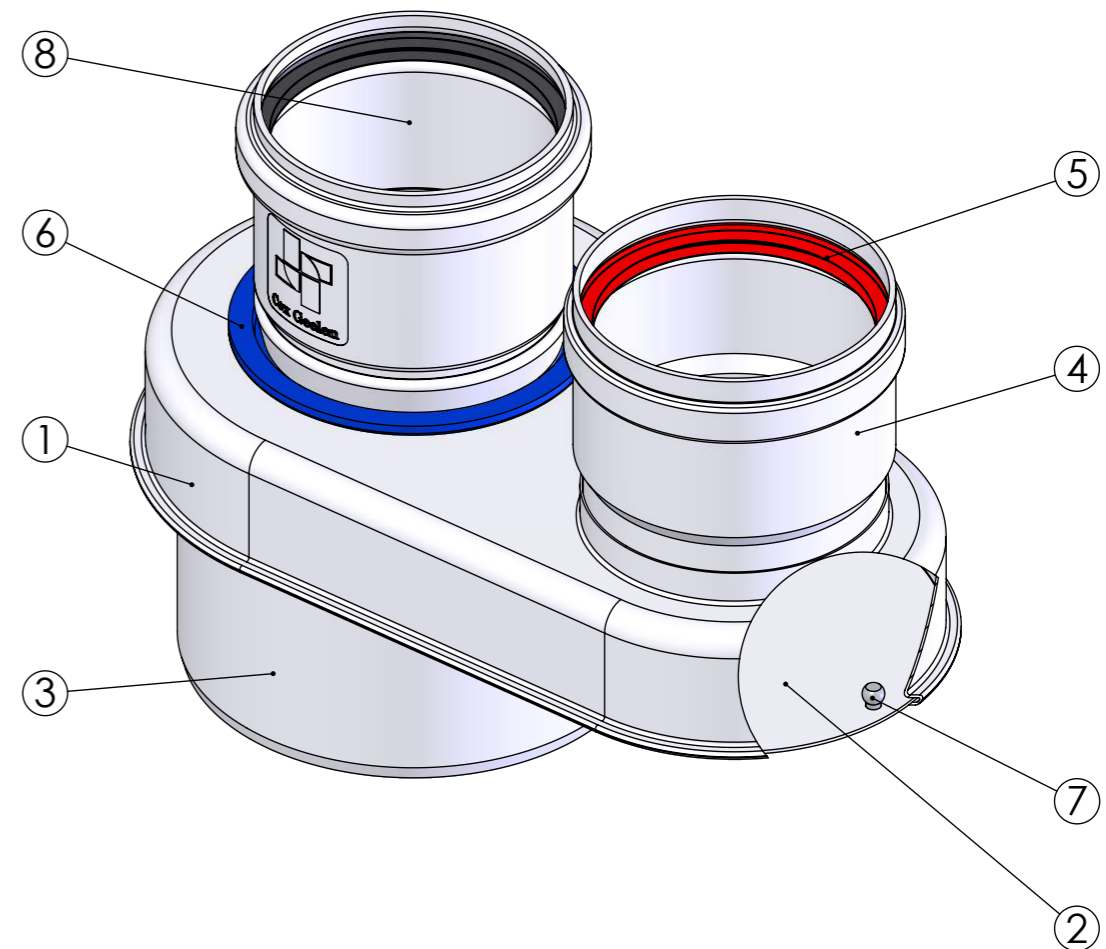


This drawing is property of Cox Geelen and may not be copied in whole or in part without the prior written consent of the owner



SECTION A-A



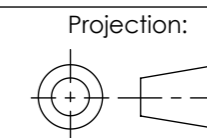
Pos.	QTY.	Description	Material	Drawing	Part nr
8	1	Adapter Flue Pipe ø80-PP	-	B0212	-
7	1	Rivet	EN-AW-1050A	-	860003
6	1	Recess seal VMQ flue gas ø80	VMQ Flue gas blue	A1774	890423
5	1	Seal VMQ Flue gas ø80	VMQ Flue gas	A2265	700241
4	1	Air inlet ø80	EN-AW-6060	-	-
3	1	Air pipe ø125	EN-AW-1050A	-	-
2	1	Plate	DX52D	-	-
1	1	Parallel adapter	DX52D	08101	710174

Scale: 1:2 Unit of measure: mm Material: Comments: Thickness of coating: average ≥70µm

Title: Adapter ø80-125/ø80-80 PP-Galv

CAD Model: Adapter 80-125 80-80 PP-Alu
Configuration: Default

Tolerances:
 $\varnothing = \pm 0,5$
 $L = \pm 3$
 $< = \pm 3^\circ$



00	Production drawing	13020	23-08-2016	V. Esquivel	C. Vaessen
	Revisions			Created	Checked

Dwg. no. : **B0213 P00** A3