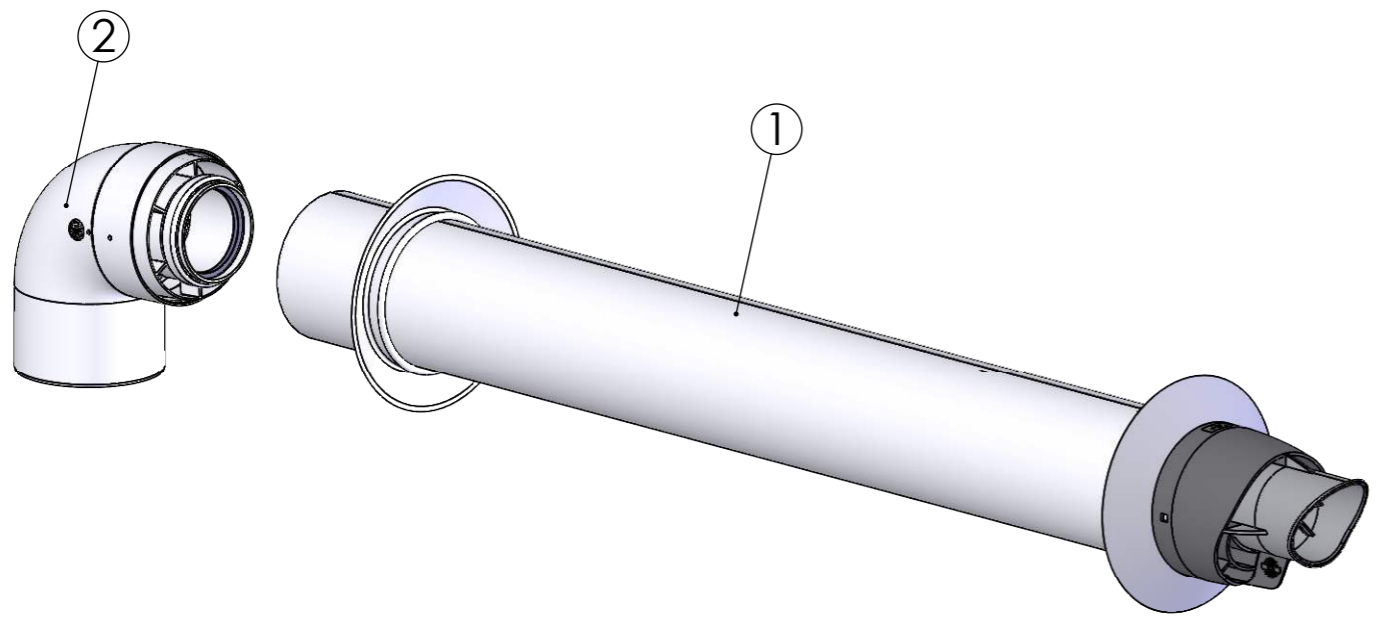
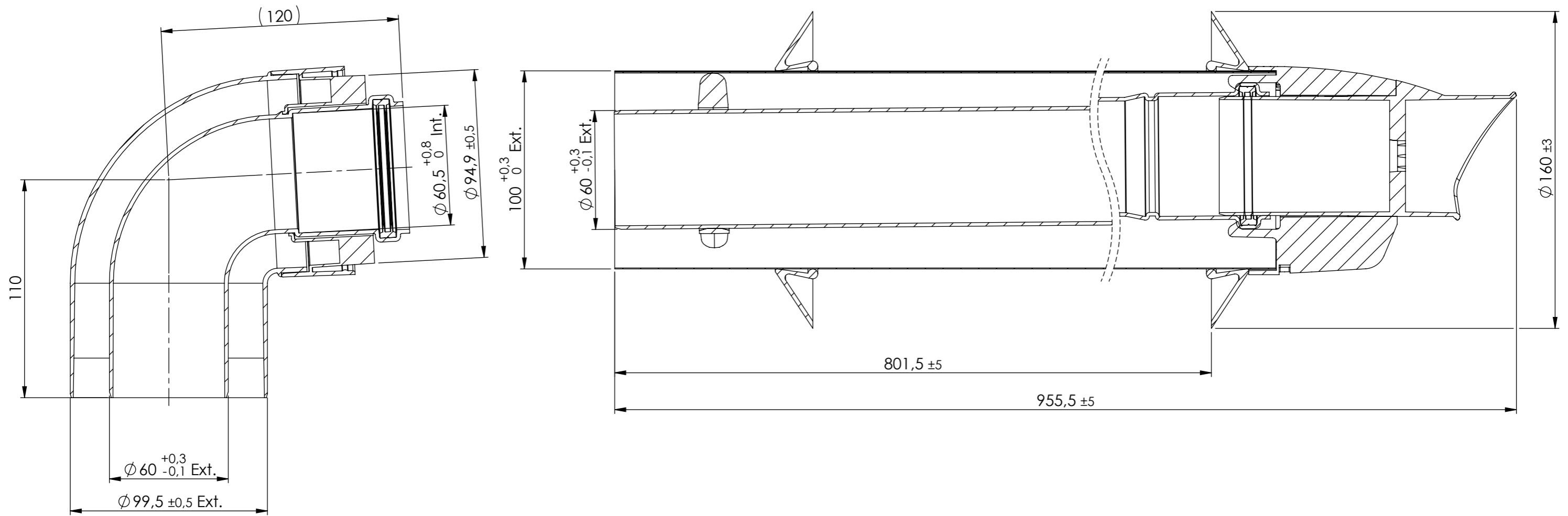


This drawing is property of Cox Geelen and may not be copied in whole or in part without the prior written consent of the owner


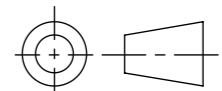


2	1	Bend ø60-100 87° ConneXt	PP - Al	0137226	-
1	1	Wall terminal ø60-100 PP-Galv.	-	0142709	-
Pos.	QTY.	Description	Material	Drawing	Part nr

Scale: 1:2 Unit of measure: mm Material: - Comments:

Title: Wall terminal set ø60-100 PP-Galv.

CAD Model: 3D0170037 Configuration: Standard A

 Cox Geelen www.coxgeelen.com	Tolerances: ø = ±0.5 L = ±3 < = ±3°	Projection: 	Dwg. no. : 0142710 P00 A3

00	Production drawing	21001	13-12-2021	RoHo	EmFr
Rev.	Description	Project nr.	Date	Created	Checked