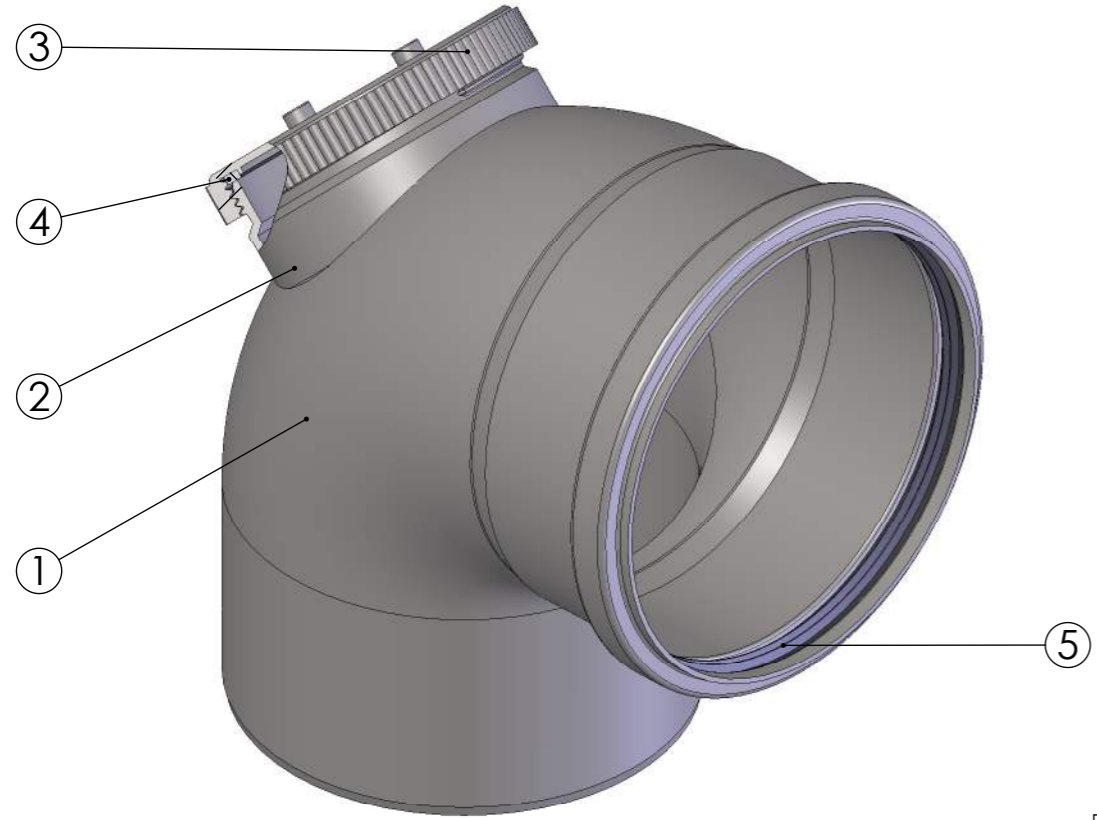
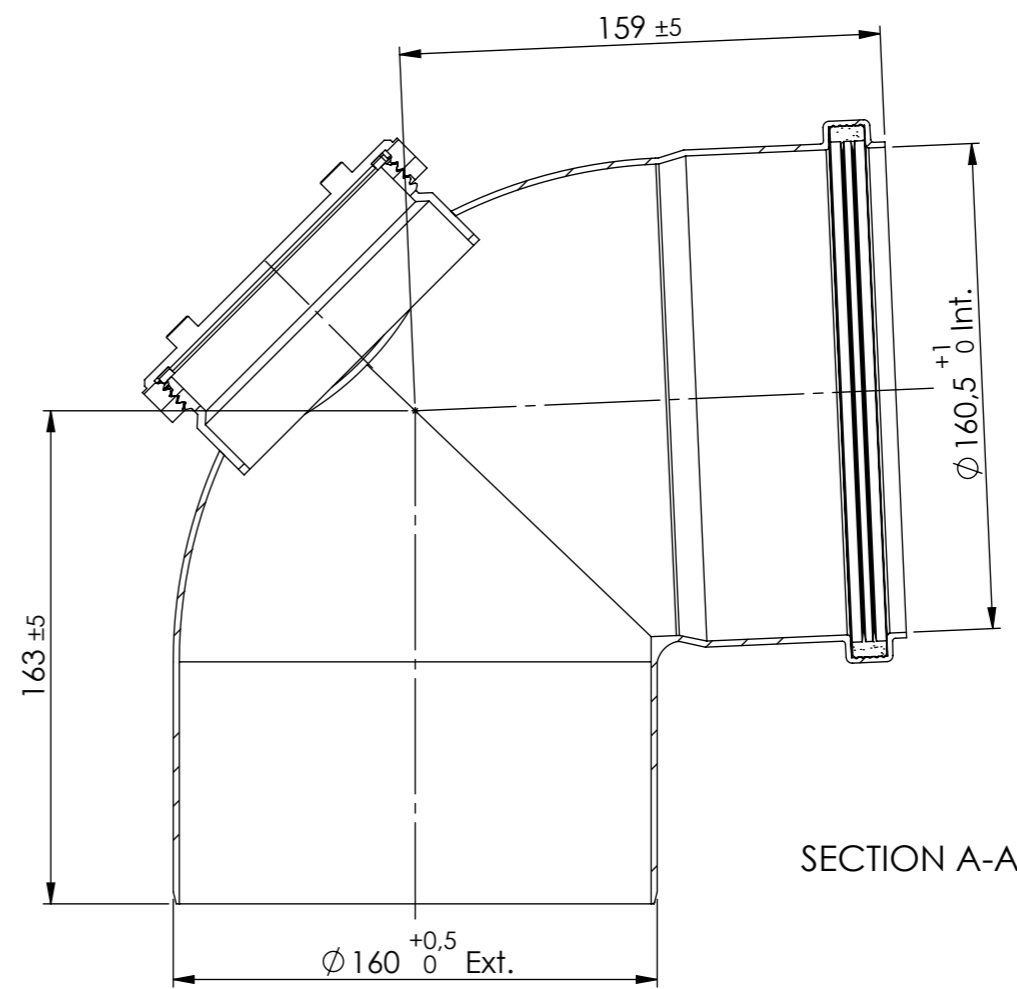
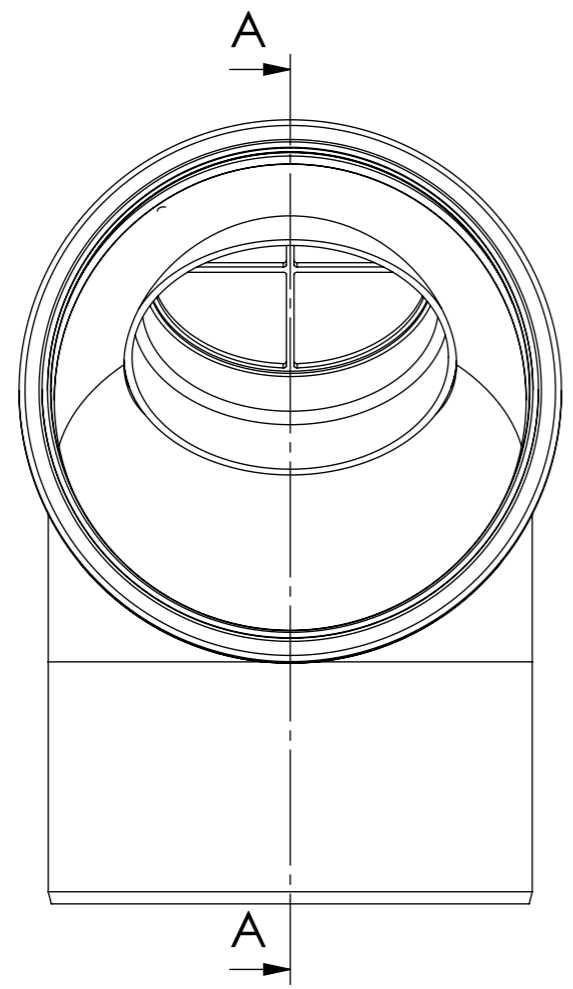


This drawing is property of Cox Geelen and may not be copied in whole or in part without the prior written consent of the owner

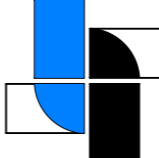
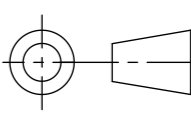


Pos.	Qty.	Description	Material	Drawing	Part nr
5	1	Seal ø160	EPDM	L0295	891378
4	1	Seal DN100	EPDM	L0293	891310
3	1	Cap DN100	PPs	L0419	891268
2	1	Cap connection	PPs	-	-
1	1	Bend ø160	PPs	-	-

Unit of measure: mm	Name: R.Houwen	Date: 23-04-2010	Material: -
Scale: 1:2.5	Checked: E.Franssen	Date: 23-04-2010	Mass[g]: 439.80

Title: **PPs Inspectionbend ø160**

Comments: Old drawing: L0155

 <b>Cox Geelen</b> Emmastraat 92 6245 HZ Eijsden Nederland T: +31 (0) 43-4099500 F: +31 (0) 43-4091987	Tolerances: $\varnothing = \pm 0.5$ $L = \pm 3$ $\angle = \pm 3^\circ$	Projection: 	Part.no: DKCN Dwg. no.: <b>A1233 P 00</b>	<b>A3</b>
---------------------------------------------------------------------------------------------------------------------------------------------------------------------------------------------------------	---------------------------------------------------------------------------------	------------------------------------------------------------------------------------------------------	----------------------------------------------	-----------

00   Production drawing   10047   23-04-2010   RoHo
Revisions