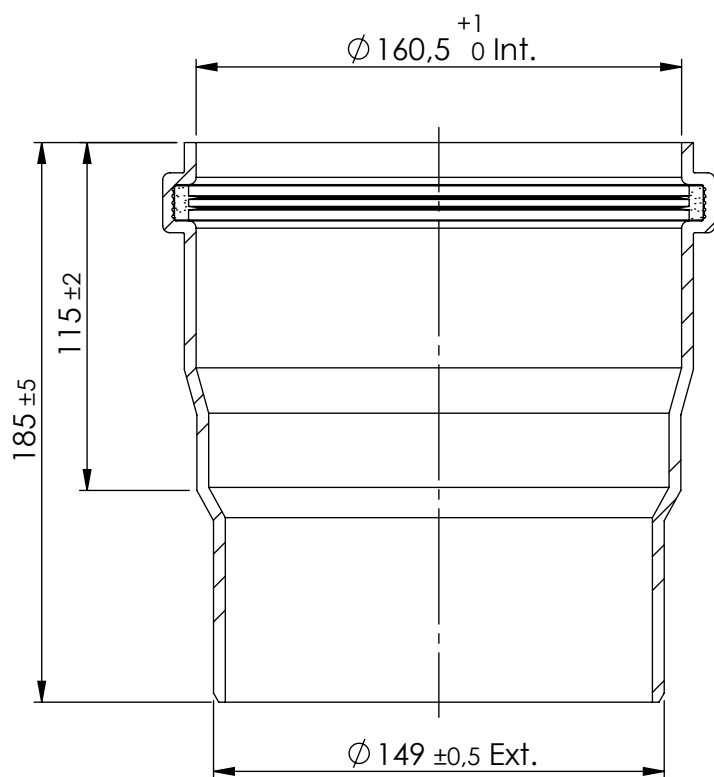
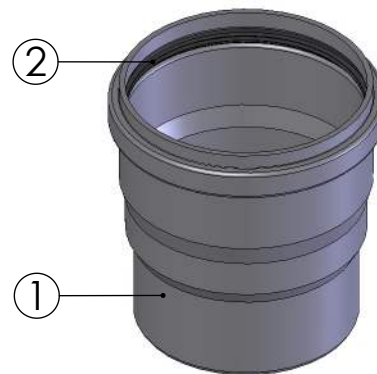
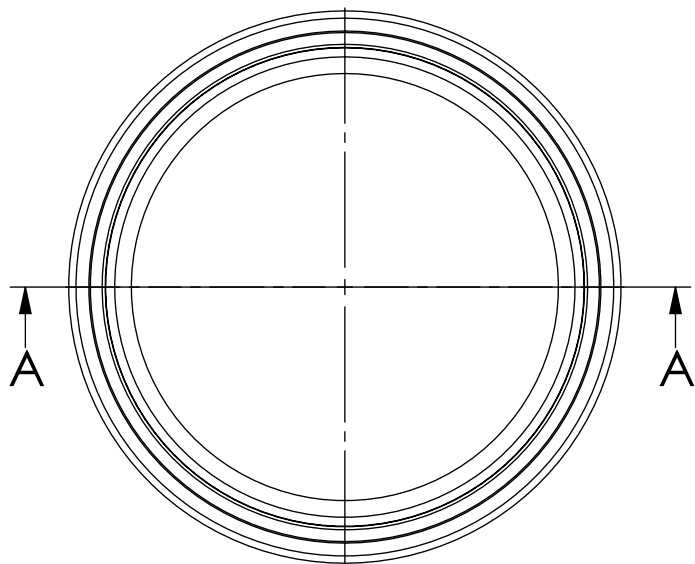
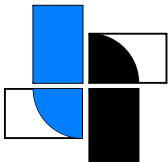
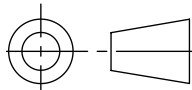


This drawing is property of Cox Geelen and may not be copied in whole or in part without the prior written consent of the owner



SECTION A-A

00 | Production drawing | 09013 | 17-12-2009 | RoHo
Revisions

2	1	Seal ø160	FPDM	L0295	891378
1	1	Flue pipe 160	PPs	-	-
Pos.	Qty.	Description	Material	Drawing	Part nr
Unit of measure:	mm	Name: R.Houwen	Date: 17-12-2009	Material: -	
Scale:	1:2.5	Checked: L.Goessen	Date: 17-12-2009	Mass[g]: 433.30	
Title: PPs Expansion ø150-160				Comments:	
 Cox Geelen Emmastraat 92 6245 HZ Eijsden Nederland T: +31(0)43-4099500 F: +31(0)43-4091987		Tolerances: $\varnothing = \pm 0.5$ $L = \pm 3$ $\angle = \pm 3^\circ$	Projection: 	Part.no: -	
				Dwg. no.:	A1133 P 00 A4