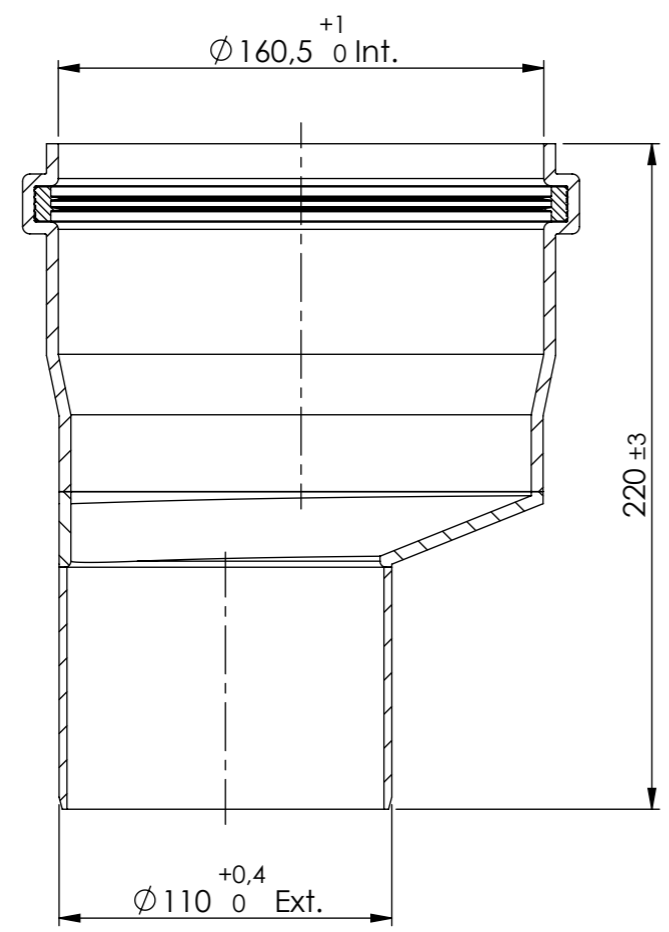
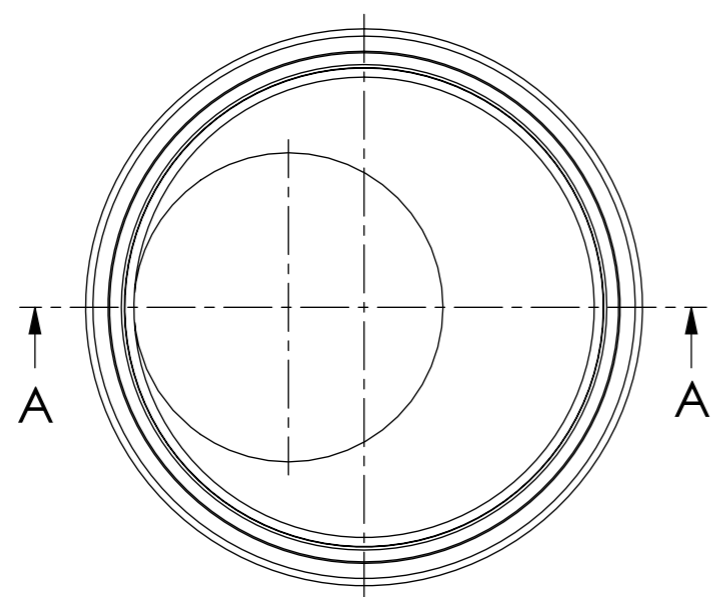
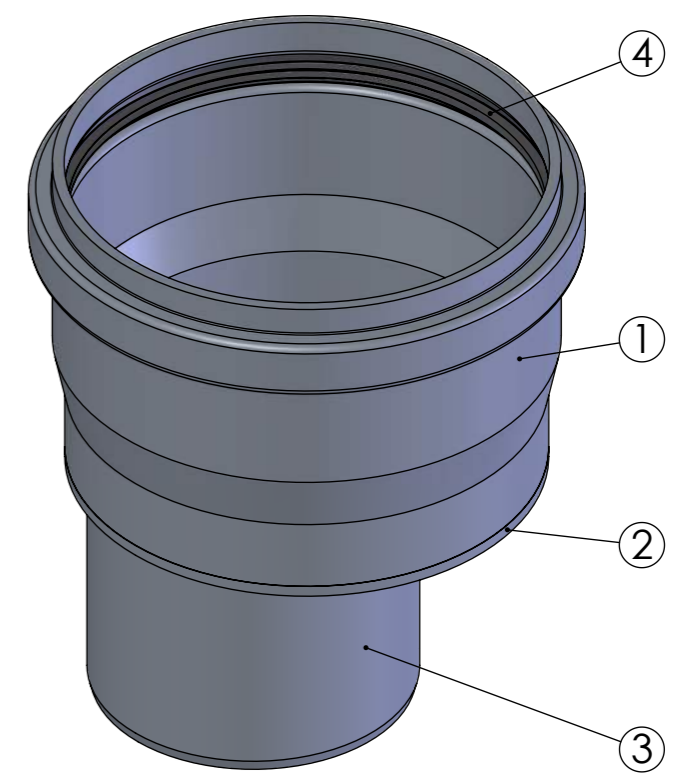


This drawing is property of Cox Geelen and may not be copied in whole or in part without the prior written consent of the owner



SECTION A-A



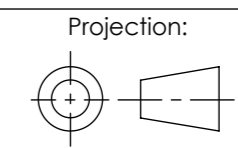
Pos.	QTY.	Description	Material	Drawing	Part nr
4	1	Seal $\varnothing 160$	EPDM Flue gas	L0295	891378
3	1	Flue pipe $\varnothing 110$	PPs	-	-
2	1	Eccentric expansion $\varnothing 110-160$	PPs	-	-
1	1	Flue pipe $\varnothing 160$ L115	PPs	-	-

Scale: 1:2.5 Unit of measure: mm Material: - Comments:

Title: **Eccentric expansion $\varnothing 110-160$ L220 PPs**

CAD Model: PPs verloop 110-160 L220
Configuration: Default

Tolerances:
 $\varnothing = \pm 0,5$
 $L = \pm 3$
 $< = \pm 3^\circ$



Part # : 146012

Dwg. no. : **A0775P00** | A3

Revisions	Created	Checked
00 Production drawing 0694 12-06-2008 P. Verspaget L. Goessen		