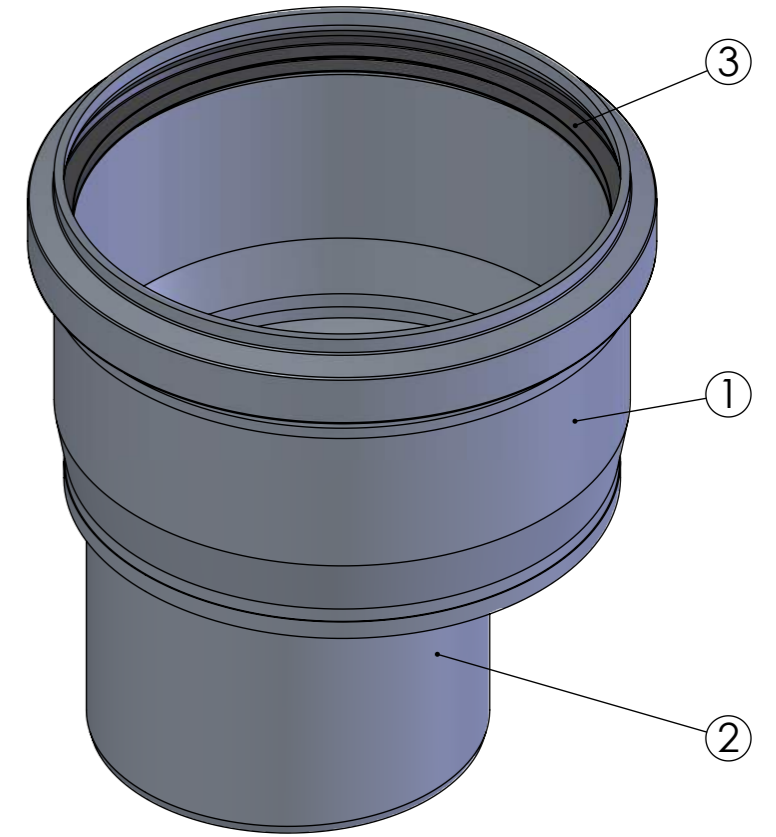
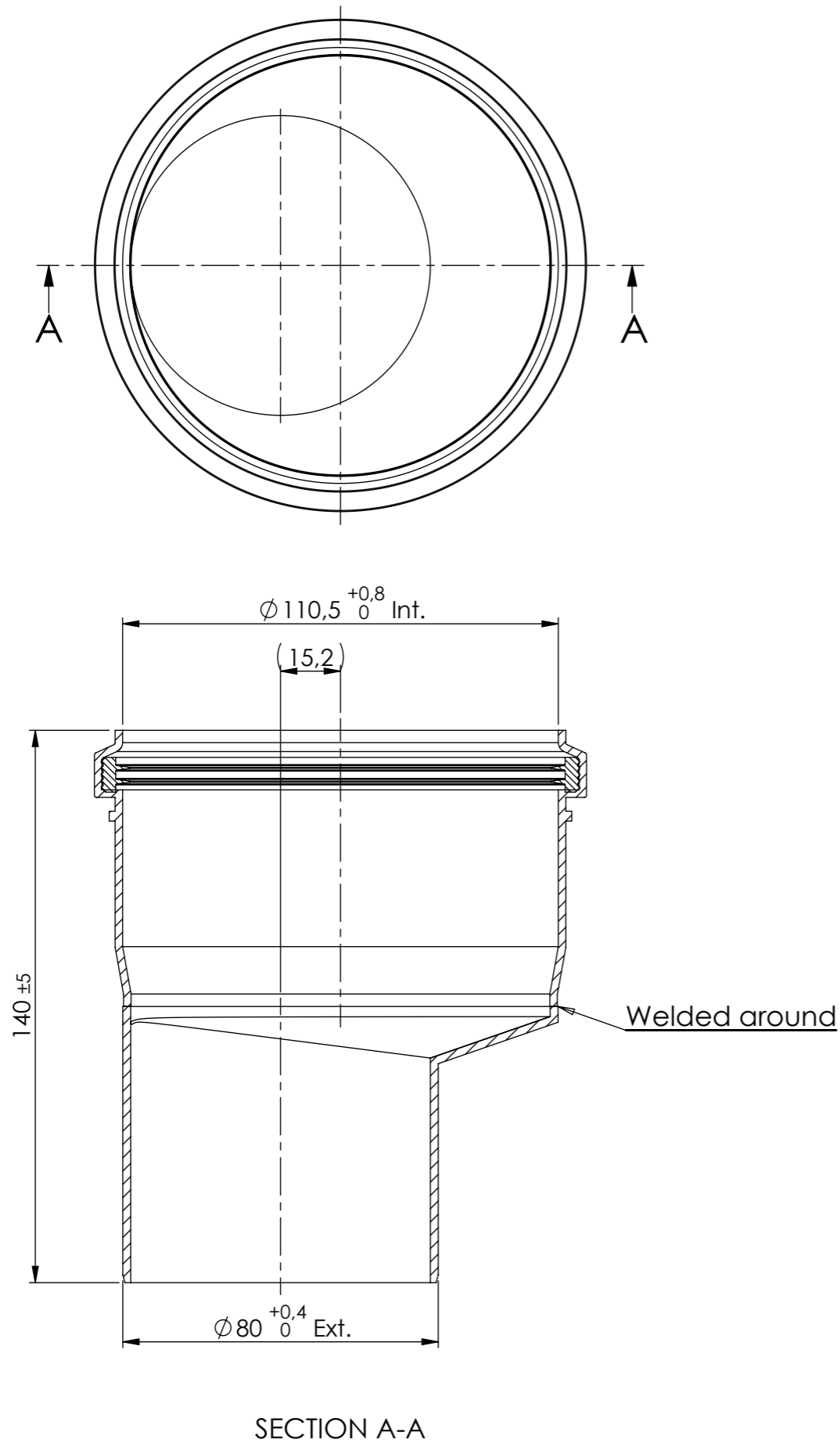


This drawing is property of Cox Geelen and may not be copied in whole or in part without the prior written consent of the owner


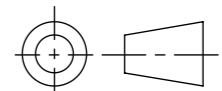


Pos.	QTY.	Description	Material	Drawing	Part nr
3	1	Seal ø110	EPDM Flue gas	L0295	891198
2	1	Eccentric expansion piece ø80-110	PPs	-	-
1	1	Expansion ø100-110	PPs	L0298	-

Scale: 1:1.5 Unit of measure: mm Material: PPs - EPDM Comments:

Title: **Eccentric flue expansion ø80-110** Old drawing 07944

CAD Model: PPs verloop exc. 80-110 Configuration: EPDM

 Cox Geelen www.coxgeelen.com	Tolerances: $\varnothing = \pm 0,5$ $L = \pm 3$ $< = \pm 3^\circ$	Projection: 	Dwg. no. : A1861 P00 A3											
	Revisions: <table border="1" style="display: inline-table; border-collapse: collapse;"> <tr> <td>00</td> <td>Production drawing</td> <td>11068</td> <td>16-03-2012</td> <td>M. Ubags</td> <td>L. Goessen</td> </tr> <tr> <td></td> <td></td> <td></td> <td></td> <td>Created</td> <td>Checked</td> </tr> </table>			00	Production drawing	11068	16-03-2012	M. Ubags	L. Goessen					Created
00	Production drawing	11068	16-03-2012	M. Ubags	L. Goessen									
				Created	Checked									