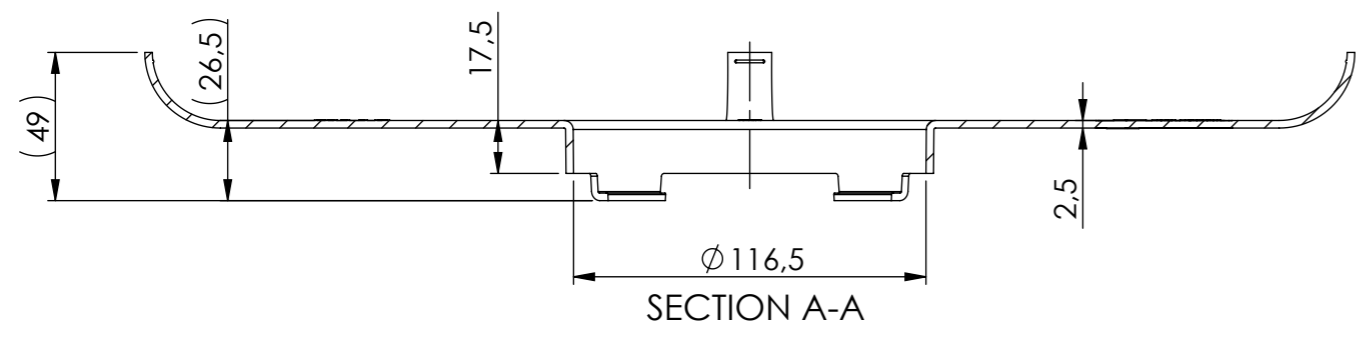
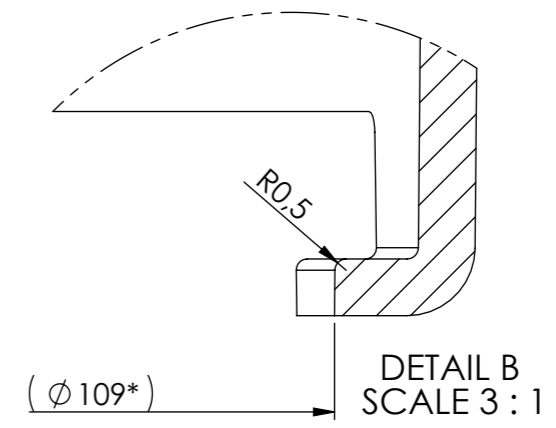
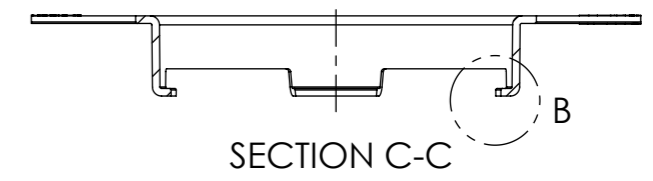
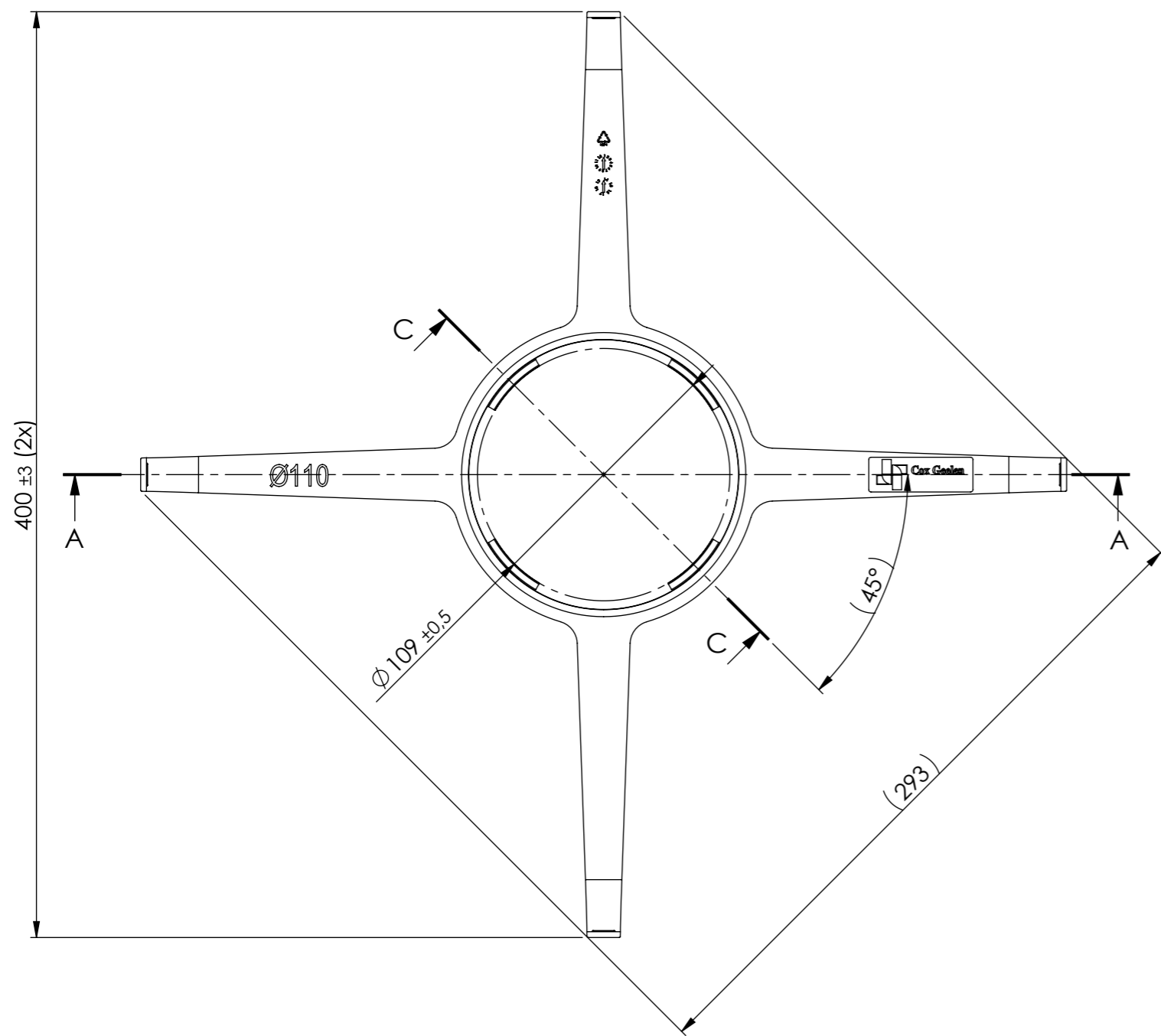

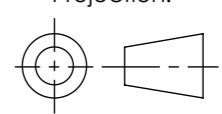


This drawing is property of Cox Geelen and may not be copied in whole or in part without the prior written consent of the owner



Scale: 1:2.5	Unit of measure: mm	Material: CoxPP-GCB	Comments:
Title: Distanceholder $\varnothing 110$			Colour: RAL9005
CAD Model: Distanceholder socket 110 Configuration: Sales			
 Cox Geelen www.coxgeelen.com		Tolerances: DIN 16.901 Reihe 2	Projection: 
00 Production drawing 17055 13-03-2018 R. Houwen C. Vaessen Revisions Created Checked			Dwg. no. : B0669 P00 A3