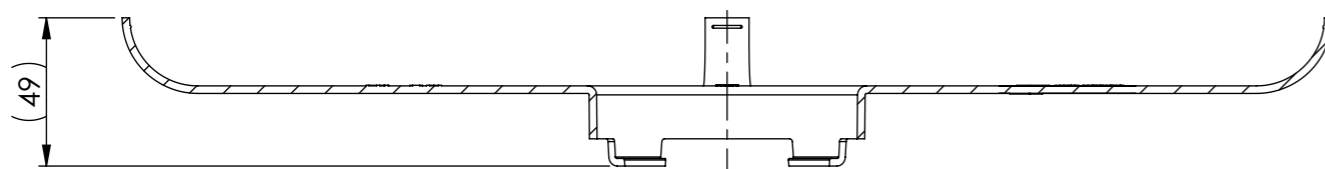
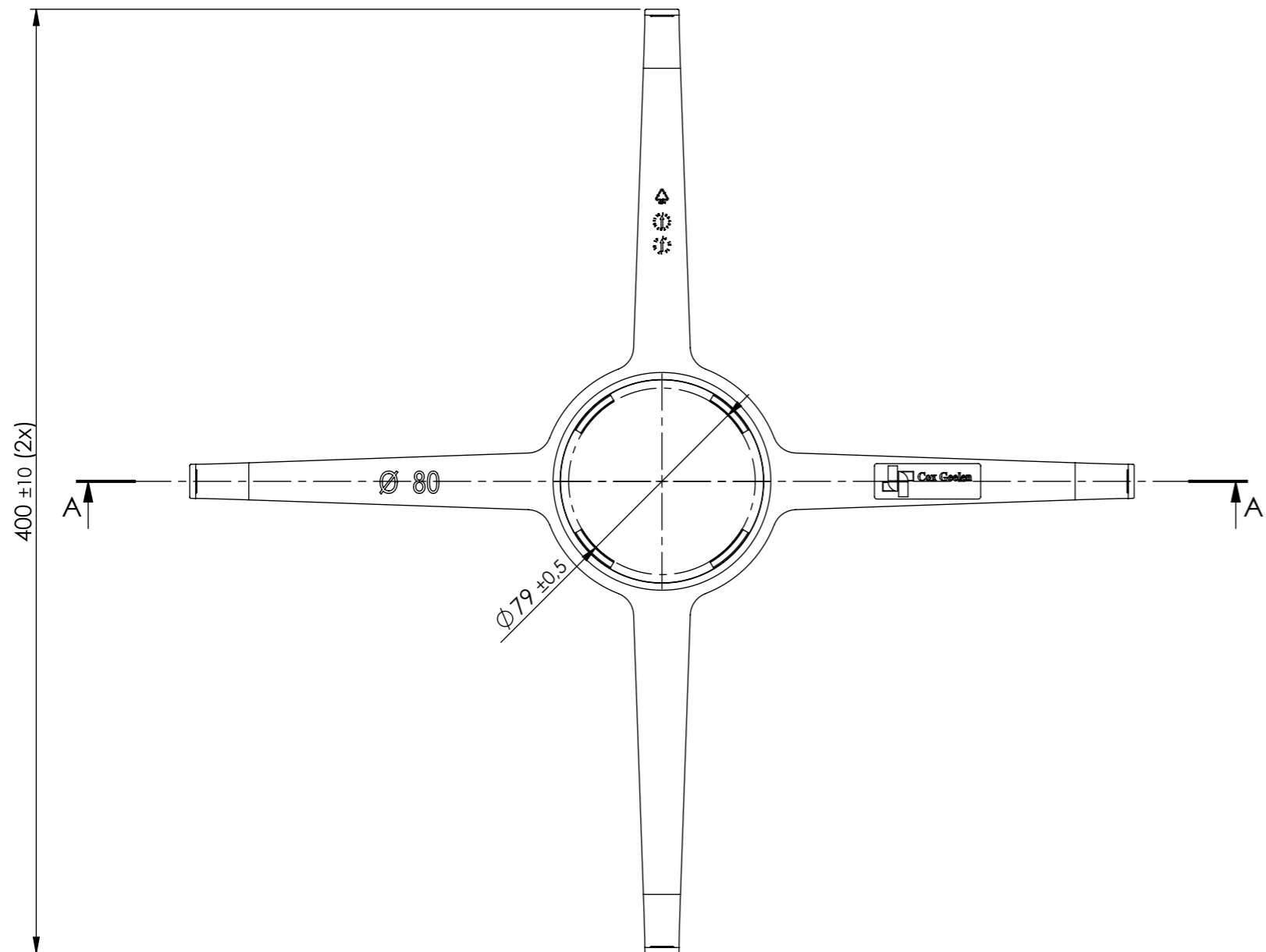



This drawing is property of Cox Geelen and may not be copied in whole or in part without the prior written consent of the owner



SECTION A-A

Scale: 1:2.5	Unit of measure: mm	Material: CoxPP-GCB	Comments: Art no: BLEJAK500 Mono drawing: L0689
Title: Distanceholder ø80 (set of 2 pieces)			
CAD Model: Distanceholder socket 80 Configuration: General drawing			Dwg. no. : B0025 P00 A3
		Tolerances: $\varnothing = \pm 0,5$ $L = \pm 3$ $< = \pm 3^\circ$	

00	Production drawing	13020	02-05-2016	F. Knoops	C. Vaessen
	Revisions			Created	Checked