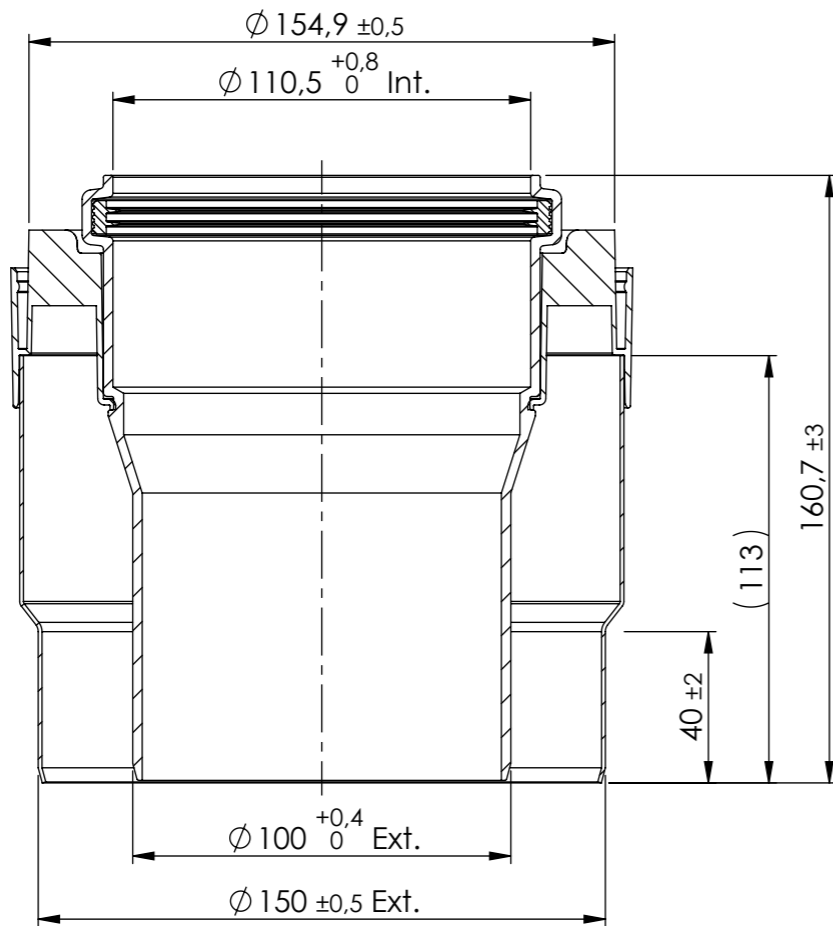
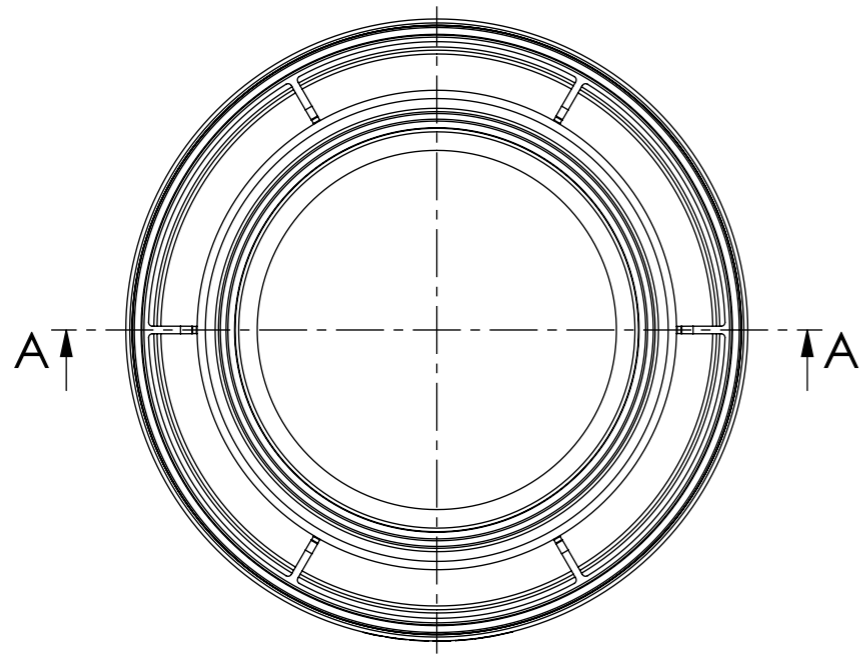
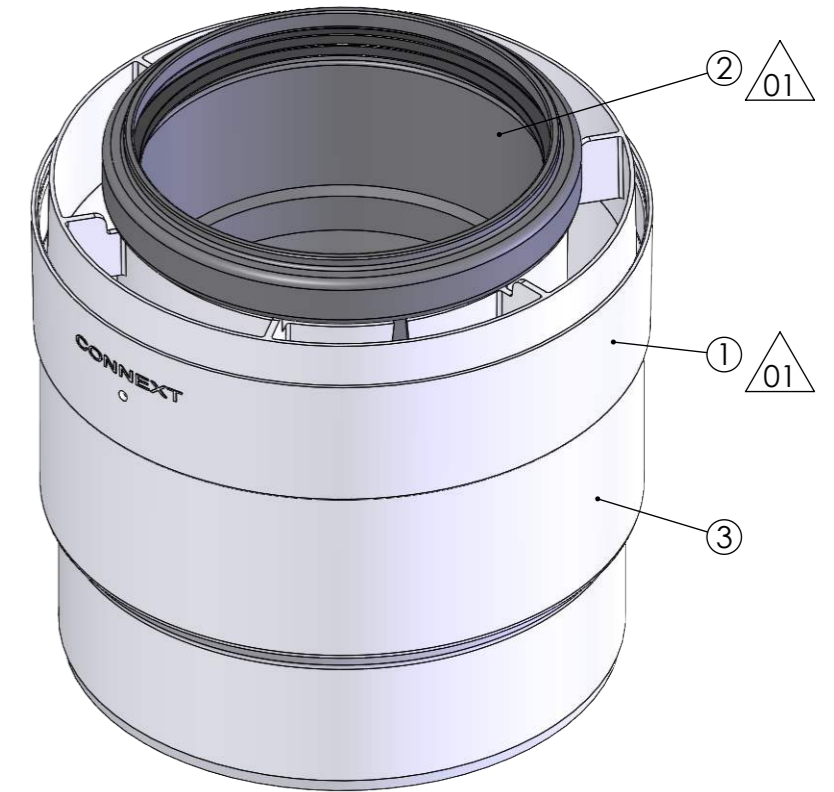


This drawing is property of Cox Geelen and may not be copied in whole or in part without the prior written consent of the owner



SECTION A-A



|           |                    |       |            |              |             |
|-----------|--------------------|-------|------------|--------------|-------------|
| 01        | New parts applied  | 18001 | 29-03-2018 | M. Ubags     | E. Franssen |
| 00        | Production drawing | -     | 13-05-2008 | P. Verspaget | L. Goessen  |
| Revisions |                    |       |            | Created      | Checked     |

| Pos. | QTY. | Description                       | Material    | Drawing | Part nr |
|------|------|-----------------------------------|-------------|---------|---------|
| 3    | 1    | Expansion $\phi 150-160$ coupling | EN-AW-1050A | -       | -       |
| 2    | 1    | Expansion $\phi 100-110$ L160     | -           | 0134043 | 891275  |
| 1    | 1    | Coupling unit $\phi 110-160$      | ABS         | 0133561 | -       |

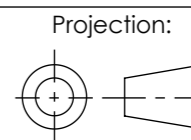
Scale: 1:2    Unit of measure: mm    Material: PPs - Alu

Title: Expansion  $\phi 100-150/110-160$  ConneXt

CAD Model: 3D0163443  
Configuration: EW verloop

**Cox Geelen**  
www.coxgeelen.com

Tolerances:  
 $\phi = \pm 0,5$   
 $L = \pm 3$   
 $< = \pm 3^\circ$



Comments:  
Thickness of coating: average  $\geq 70\mu\text{m}$

Dwg. no. : **0134019 P01**    A3