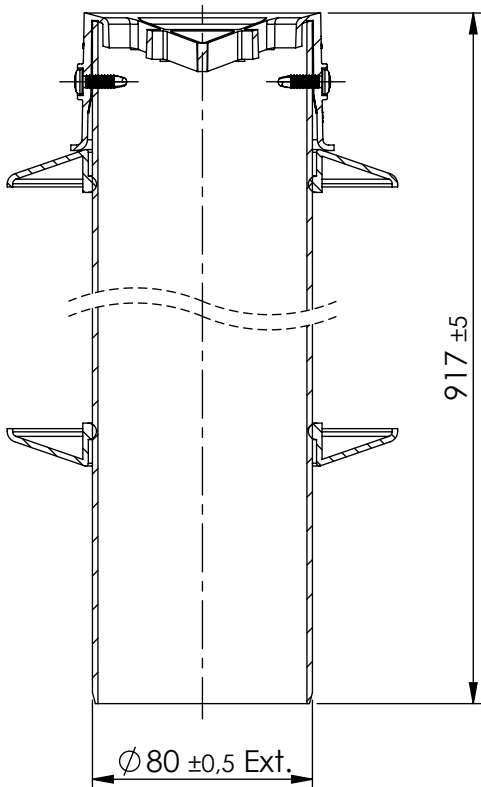
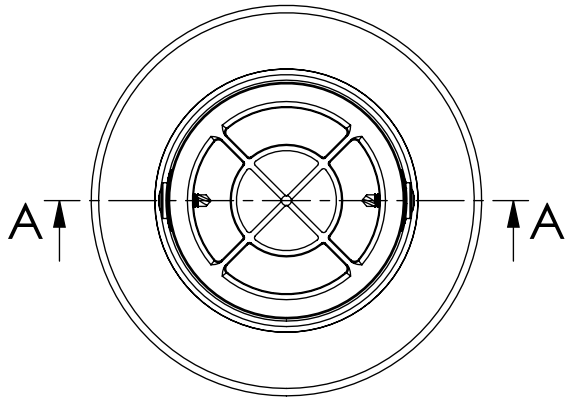
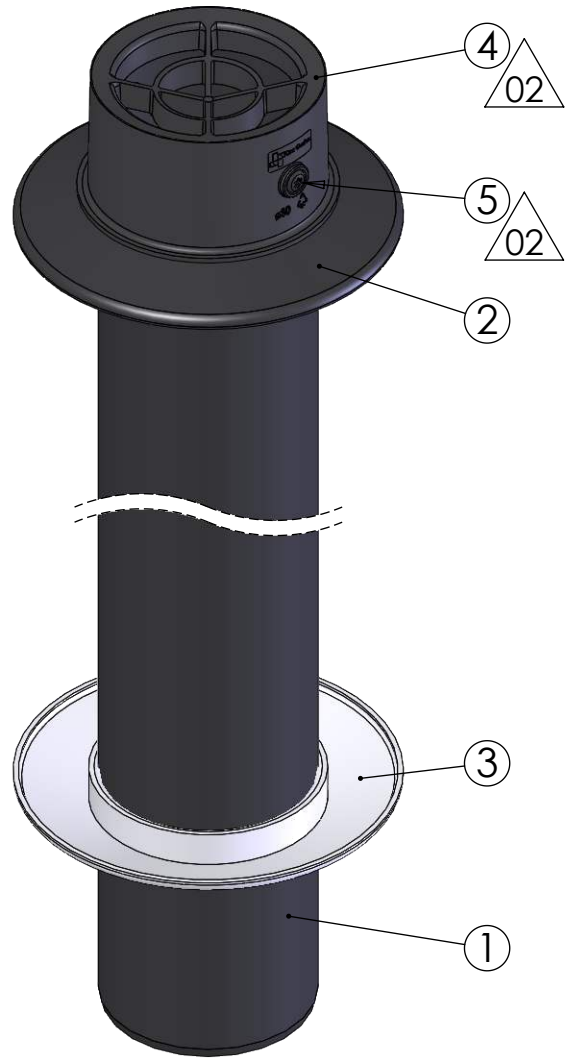


This drawing is property of Cox Geelen and may not be copied in whole or in part without the prior written consent of the owner

Rev.	Description	Project nr.	Date	Created	Checked
00	Production drawing	09013	09-03-2010	RoHo	EmFr
01	Wall plates changed	10112	16-11-2010	RoHo	EmFr
02	Endcap exchanged	20001	04-06-2020	MaUb	EmFr



SECTION A-A



5	2	Self-tapping torx screw 4,2x 16	Stainless A2	-	892325
4	1	Flue gas endcap ø80	CoxPP-AAB	0138286	890238
3	1	Wall plate ø80 (RAL9016)	EPDM	0134245	890903
2	1	Wall plate ø80 (RAL9005)	EPDM	0134245	890902
1	1	Flue pipe ø80 L914 without socket	PPs	0134255	891825
Pos.	QTY.	Description	Material	Drawing	Part nr

Scale: 1:2.75 Unit of measure: mm Material: -

Comments:

Title: Parallel wall terminal air-inlet ø80 with seals

Part.no: BKBF

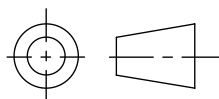
CAD Model: 3D0162656
Configuration: Default

A1176 A



Tolerances:
 $\varnothing = \pm 0.5$
 $L = \pm 3$
 $< = \pm 3^\circ$

Projection:



Dwg. no. : 0134445 P02 A4